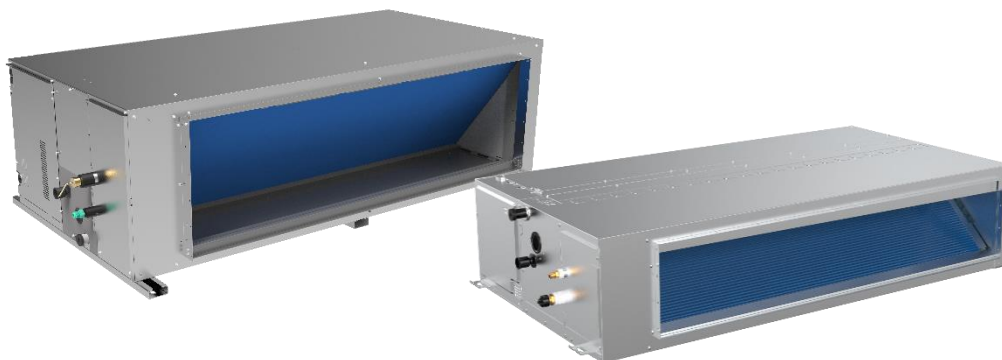


Engineering Data

High Static Pressure Duct VRF IDU



MIH56T1HN18

MIH112T1HN18

MIH200T1HN18

MIH335T1HN18

MIH71T1HN18

MIH125T1HN18

MIH224T1HN18

MIH400T1HN18

MIH80T1HN18

MIH140T1HN18

MIH252T1HN18

MIH450T1HN18

MIH90T1HN18

MIH160T1HN18

MIH280T1HN18

MIH560T1HN18

High Static Pressure Duct

1 Specifications	4
2 Dimensions	8
3 Unit Placement	11
4 Piping Diagrams	13
5 Wiring Diagrams.....	14
6 Capacity Tables.....	17
7 Electrical Characteristics.....	19
8 Sound Levels	20
9 Fan Performance	23

1 Specifications

MIH56T1HN18 / MIH71T1HN18 / MIH80T1HN18 / MIH90T1HN18

Table 1.1: MIH56(71,80,90)T1HN18 specifications

Model name			MIH56T1HN18	MIH71T1HN18	MIH80T1HN18	MIH90T1HN18
Power supply			1-phase, 220-240V, 50/60Hz			
Cooling ¹	Capacity	kW	5.6	7.1	8.0	9.0
		kBut/h	19.1	24.2	27.3	30.7
	Input	W	159	159	159	196
Heating ²	Capacity	kW	6.3	8.0	9.0	10.0
		kBut/h	21.5	27.3	30.7	34.1
	Input	W	159	159	159	196
Fan motor	Type	DC				
	Number	1				
Coil	Number of rows		3	3	3	3
	Tube pitch × row pitch	mm	18×10.72			
	Fin spacing	mm	1.35	1.35	1.35	1.35
	Fin type		Hydrophilic aluminum			
	Tube OD and type	mm	Φ5 Inner groove			
	Dimensions (L×H ×W)	mm	850×360×32.16	850×360×32.16	850×360×32.16	850×360×32.16
	Number of circuits		10	10	10	10
Airflow rate ³	m ³ /h	1360/1281/1201/ 1122/1043/963/884	1360/1281/1201/ 1122/1043/963/884	1360/1281/1201/ 1122/1043/963/884	1500/1413/1325/ 1238/1150/1063/975	
External static pressure ⁴	Pa	80 (0-250)				
Sound pressure level ⁵	dB(A)	39/38/36/35/33/32/30	39/38/36/35/33/32/30	39/38/36/35/33/32/30	40/39/37/36/34/33/31	
Sound power level	dB(A)	59/56/54/53/51/49/47	59/56/54/53/51/49/47	59/56/54/53/51/49/47	63/60/58/56/54/52/50	
Unit	Net dimensions ⁶ (W×H×D)	mm	1050×299×750			
	Packed dimensions (W×H×D)	mm	1215×359×890			
	Net/Gross weight	kg	35/38.5	35/38.5	35/38.5	35/38.5
Refrigerant type			R410A/R32			
Design pressure (H/L)		MPa	4.4/2.6			
Pipe connections	Liquid/Gas pipe	mm	Φ6.35/Φ12.7	Φ9.52/Φ15.9		
	Drain pipe	mm	OD Φ25			

Notes:

- Indoor temperature 27°C DB, 19°C WB; outdoor temperature 35°C DB; equivalent refrigerant piping length 7.5m with zero level difference.
- Indoor temperature 20°C DB; outdoor temperature 7°C DB, 6°C WB; equivalent refrigerant piping length 7.5m with zero level difference.
- Fan motor speed and air flow rate are from the highest speed to the lowest speed, total 7 rates for each model.
- Stable operation external static pressure range. (Note: setting external static pressure outside the unit's optimal static pressure range may lead to higher noise levels and lower airflow rate. For the optimal external static pressure range refer to the unit's installation manual.)
- Sound pressure level is from highest level to lowest level, total 7 levels for each model. Sound pressure level is measured 1.4m below the unit in an anechoic chamber.
- The dimension is only the body size, excluding the size of the installation lug, connecting copper pipe, etc. For detailed dimensions, please refer to the installation manual.

All specifications are measured at standard external static pressure

MIH112T1HN18 / MIH125T1HN18/ MIH140T1HN18 / MIH160T1HN18
Table 1.2: MIH112(125,140,160)T1HN18 specifications

Model name			MIH112T1HN18	MIH125T1HN18	MIH140T1HN18	MIH160T1HN18
Power supply			1-phase, 220-240V, 50/60Hz			
Cooling ¹	Capacity	kW	11.2	12.5	14.0	16.0
		kBut/h	38.2	42.7	47.8	54.6
	Input	W	248	252	284	339
Heating ²	Capacity	kW	12.5	14.0	16.0	18.0
		kBut/h	42.7	47.8	54.6	61.4
	Input	W	248	252	284	339
Fan motor	Type		DC			
	Number		1			
Coil	Number of rows		2	3	3	3
	Tube pitch × row pitch	mm	18×10.72			
	Fin spacing	mm	1.35	1.35	1.35	1.35
	Fin type		Hydrophilic aluminum			
	Tube OD and type	mm	Φ5 Inner groove			
	Dimensions (L×H ×W)	mm	1200×360×21.44	1200×360×32.16	1200×360×32.16	1200×360×32.16
	Number of circuits		10	10	10	10
Airflow rate ³	m ³ /h	2140/2015/1890/1766/ 1641/1516/1391	2150/2025/1899/1774/ 1649/1523/1398	2400/2260/2120/1980/ 1840/1700/1560	2600/2448/2297/2145/ 1993/1842/1690	
External static pressure ⁴	Pa	80 (0-250)	100 (0-250)			
Sound pressure level ⁵	dB(A)	41/40/38/37/35/34/32	41/40/39/37/36/35/33	43/42/40/39/37/36/34	44/43/41/40/38/37/35	
Sound power level	dB(A)	63/61/59/57/56/54/52	66/64/62/60/58/56/54	67/64/62/60/58/57/55	68/66/64/62/60/59/57	
Unit	Net dimensions ⁶ (W×H×D)	mm	1400×299×750			
	Packed dimensions (W×H×D)	mm	1565×359×890			
	Net/Gross weight	kg	44.5/48.5	46.5/50.5	46.5/50.5	46.5/50.5
Refrigerant type			R410A/R32			
Design pressure (H/L)		MPa	4.4/2.6			
Pipe connections	Liquid/Gas pipe	mm	Φ9.52/Φ15.9			
	Drain pipe	mm	OD Φ25			

Notes:

- Indoor temperature 27°C DB, 19°C WB; outdoor temperature 35°C DB; equivalent refrigerant piping length 7.5m with zero level difference.
- Indoor temperature 20°C DB; outdoor temperature 7°C DB, 6°C WB; equivalent refrigerant piping length 7.5m with zero level difference.
- Fan motor speed and air flow rate are from the highest speed to the lowest speed, total 7 rates for each model.
- Stable operation external static pressure range. (Note: setting external static pressure outside the unit's optimal static pressure range may lead to higher noise levels and lower airflow rate. For the optimal external static pressure range refer to the unit's installation manual.)
- Sound pressure level is from highest level to lowest level, total 7 levels for each model. Sound pressure level is measured 1.4m below the unit in an anechoic chamber.
- The dimension is only the body size, excluding the size of the installation lug, connecting copper pipe, etc. For detailed dimensions, please refer to the installation manual.

All specifications are measured at standard external static pressure

Indoor Units



MIH200T1HN18 / MIH224T1HN18 / MIH252T1HN18/ MIH280T1HN18

Table 1.3: MIH200(224,252,280)T1HN18 specifications

Model name			MIH200T1HN18	MIH224T1HN18	MIH252T1HN18	MIH280T1HN18
Power supply			1-phase, 220-240V, 50/60Hz			
Cooling ¹	Capacity	kW	20.0	22.4	25.2	28.0
		kBut/h	68.3	76.5	86.0	95.6
	Input	W	780	780	780	780
Heating ²	Capacity	kW	22.5	25.0	26.0	31.5
		kBut/h	76.8	85.3	88.7	107.5
	Input	W	780	780	780	780
Fan motor	Type	DC				
	Number	1				
Coil	Number of rows		3	3	3	3
	Tube pitch × row pitch	mm	21×13.37			
	Fin spacing	mm	1.5	1.5	1.5	1.5
	Fin type		Hydrophilic aluminum			
	Tube OD and type	mm	Φ7 Inner groove			
	Dimensions (L×H ×W)	mm	1050×588×40.1	1050×588×40.1	1050×588×40.1	1050×588×40.1
	Number of circuits		14	14	14	14
Airflow rate ³		m ³ /h	4700/4387/4073/3760/ 3447/3133/2820	4700/4387/4073/3760/ 3447/3133/2820	4700/4387/4073/3760/ 3447/3133/2820	4700/4387/4073/3760/ 3447/3133/2820
External static pressure ⁴		Pa	200(0-400)			
Sound pressure level ⁵		dB(A)	51/50/48/46/44/43/42	51/50/48/46/44/43/42	51/50/48/46/44/43/42	51/50/48/46/44/43/42
Sound power level		dB(A)	74/72/70/68/66/64/62	74/72/70/68/66/64/62	74/72/70/68/66/64/62	74/72/70/68/66/64/62
Unit	Net dimensions ⁶ (W×H×D)	mm	1300×580×900			
	Packed dimensions (W×H×D)	mm	1530×730×1060			
	Net/Gross weight	kg	125/150	125/150	125/150	125/150
Refrigerant type			R410A/R32			
Design pressure (H/L)		MPa	4.4/2.6			
Pipe connections	Liquid/Gas pipe	mm	Φ9.52/Φ19.1		Φ12.7/Φ22.2	
	Drain pipe	mm	OD Φ32			

Notes:

- Indoor temperature 27°C DB, 19°C WB; outdoor temperature 35°C DB; equivalent refrigerant piping length 7.5m with zero level difference.
- Indoor temperature 20°C DB; outdoor temperature 7°C DB, 6°C WB; equivalent refrigerant piping length 7.5m with zero level difference.
- Fan motor speed and air flow rate are from the highest speed to the lowest speed, total 7 rates for each model.
- Stable operation external static pressure range. (Note: setting external static pressure outside the unit's optimal static pressure range may lead to higher noise levels and lower airflow rate. For the optimal external static pressure range refer to the unit's installation manual.)
- Sound pressure level is from highest level to lowest level, total 7 levels for each model. Sound pressure level is measured 1.4m below the unit in an anechoic chamber.
- The dimension is only the body size, excluding the size of the installation lug, connecting copper pipe, etc. For detailed dimensions, please refer to the installation manual.

All specifications are measured at standard external static pressure

MIH335T1HN18 / MIH400T1HN18/ MIH450T1HN18 / MIH560T1HN18
Table 1.4: MIH335 (400,450,560)T1HN18 specifications

Model name			MIH335T1HN18	MIH400T1HN18	MIH450T1HN18	MIH560T1HN18
Power supply			1-phase, 220-240V, 50/60Hz			
Cooling ¹	Capacity	kW	33.5	40.0	45.0	56.0
		kBut/h	114.3	136.5	153.6	191.1
	Input	W	810	1850	1850	2030
Heating ²	Capacity	kW	38.0	45.0	56.0	63.0
		kBut/h	129.7	153.6	191.1	215.0
	Input	W	810	1850	1850	2030
Fan motor	Type	DC				
	Number	1				
Coil	Number of rows		4	3	3	4
	Tube pitch × row pitch	mm	21×13.37			
	Fin spacing	mm	1.5	1.5	1.5	1.5
	Fin type		Hydrophilic aluminum			
	Tube OD and type	mm	Φ7 Inner groove			
	Dimensions (L×H ×W)	mm	1050×588×42.7	1600×588×40.1	1600×588×40.1	1600×588×42.7
	Number of circuits		14	14	14	14
Airflow rate ³	m ³ /h	4700/4387/4073/3760/ 3447/3133/2820	7500/7000/6500/6000/ 5500/5000/4500	7500/7000/6500/6000/ 5500/5000/4500	8400/7840/7280/6720/ 6160/5600/5040	
External static pressure ⁴	Pa	200 (0-400)	300 (0-400)			
Sound pressure level ⁵	dB(A)	52/51/49/48/46/44/43	58/56/54/52/50/49/48	58/56/54/52/50/49/48	59/58/56/54/53/51/49	
Sound power level	dB(A)	74/72/70/68/66/63/61	79/78/76/74/72/70/67	79/78/76/74/72/70/67	81/80/77/75/73/71/69	
Unit	Net dimensions ⁶ (W×H×D)	mm	1300×580×900	1850×580×900		
	Packed dimensions (W×H×D)	mm	1530×730×1060	2080×730×1060		
	Net/Gross weight	kg	128/153	166/204	166/204	170/208
Refrigerant type			R410A/R32			
Design pressure (H/L)		MPa	4.4/2.6			
Pipe connections	Liquid/Gas pipe	mm	Φ12.7/Φ25.4		Φ15.9/Φ28.6	
	Drain pipe	mm	OD Φ32			

Notes:

- Indoor temperature 27°C DB, 19°C WB; outdoor temperature 35°C DB; equivalent refrigerant piping length 7.5m with zero level difference.
- Indoor temperature 20°C DB; outdoor temperature 7°C DB, 6°C WB; equivalent refrigerant piping length 7.5m with zero level difference.
- Fan motor speed and air flow rate are from the highest speed to the lowest speed, total 7 rates for each model.
- Stable operation external static pressure range. (Note: setting external static pressure outside the unit's optimal static pressure range may lead to higher noise levels and lower airflow rate. For the optimal external static pressure range refer to the unit's installation manual.)
- Sound pressure level is from highest level to lowest level, total 7 levels for each model. Sound pressure level is measured 1.4m below the unit in an anechoic chamber.
- The dimension is only the body size, excluding the size of the installation lug, connecting copper pipe, etc. For detailed dimensions, please refer to the installation manual.

All specifications are measured at standard external static pressure

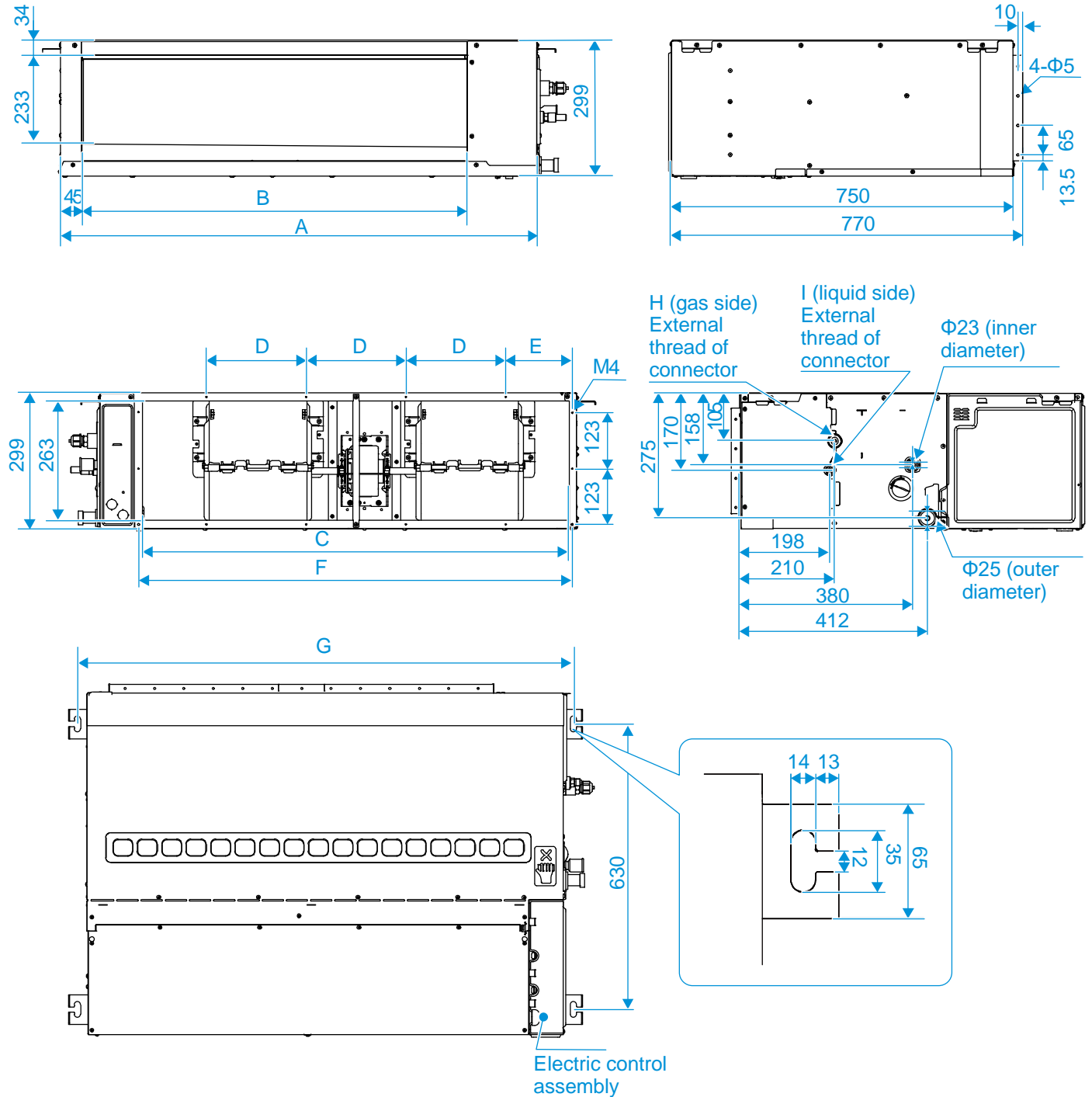
2 Dimensions

2.1 Unit Dimensions

MIH56T1HN18 / MIH71T1HN18 / MIH80T1HN18/ MIH90T1HN18

MIH112T1HN18 / MIH125T1HN18/ MIH140T1HN18 / MIH160T1HN18

Figure 2.1: MIH56(71,80,90,112,125,140,160)T1HN18 dimensions (unit: mm)



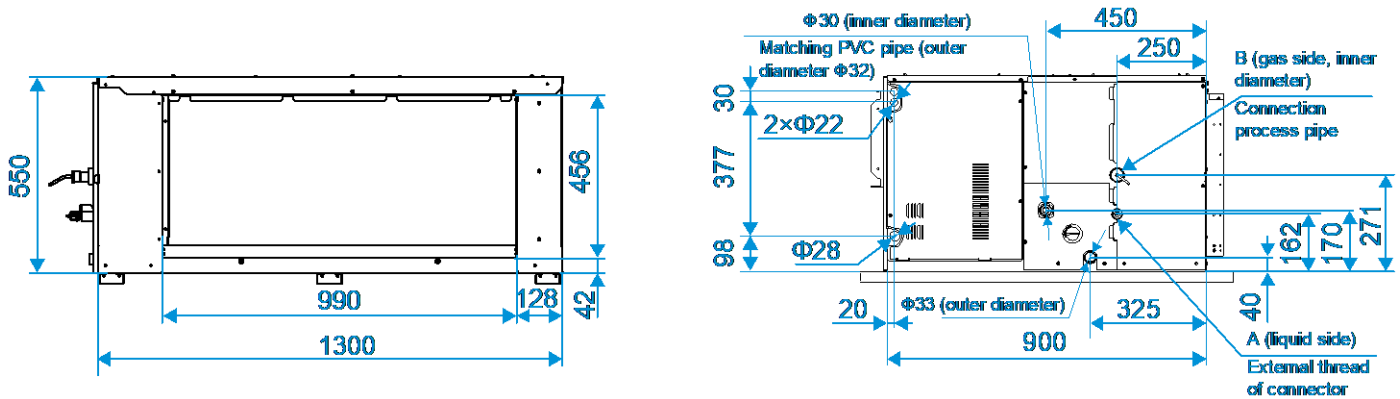
Model (kW)	A	B	C	D	E	F	G	H	I
kW≤5.6	1050	850	940	220	146	956	1095	3/4-16 UNF	7/16-20 UNF
5.6<kW≤9.0	1050	850	940	220	146	956	1095	7/8-14 UNF	5/8-18 UNF
9.0<kW≤16.0	1400	1200	1290	220	213	1306	1445	7/8-14 UNF	5/8-18 UNF

MIH200T1HN18 / MIH224T1HN18 / MIH252T1HN18/ MIH280T1HN18/ MIH335T1HN18

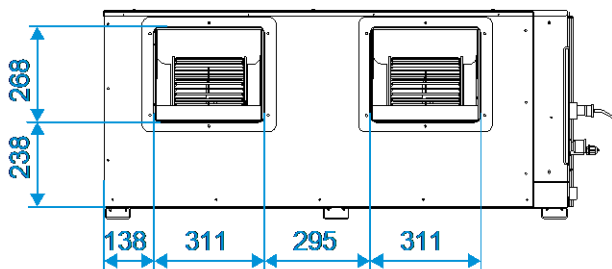
Figure 2.2: MIH200(224,252,280,335)T1HN18 dimensions (unit: mm)

Capacity (kW)	A	B
$20.0 \leq kW \leq 22.4$	5/8-18 UNF	$\Phi 19.1$
$22.4 < kW \leq 28$	3/4-16 UNF	$\Phi 22.2$
$28 < kW \leq 33.5$	3/4-16 UNF	$\Phi 25.4$

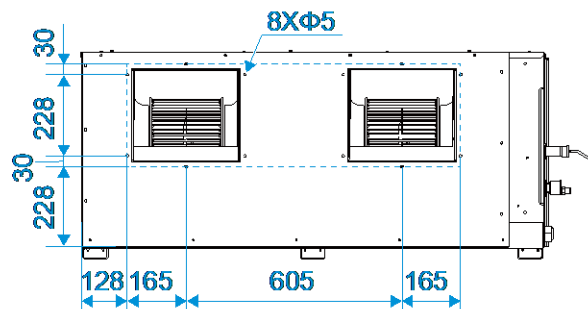
Appearance and dimensions of the air inlets, piping, drain pipes, power cable hole and communication wire hole:



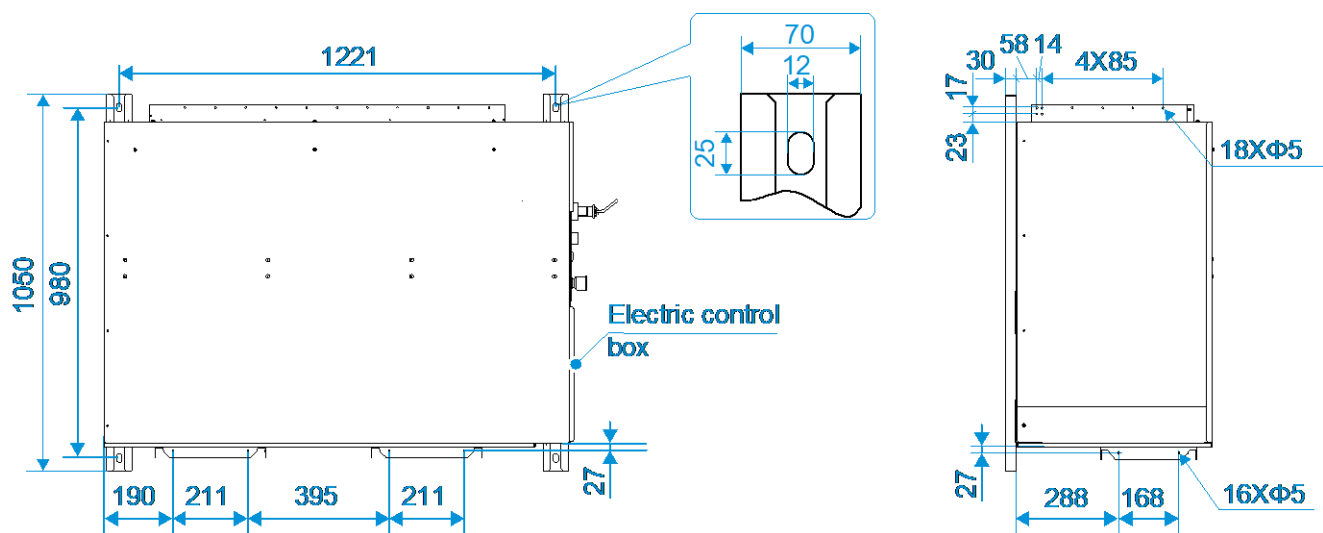
Dimensions of the air outlets:



Dimensions of the air duct installation hole after the air outlet flange is removed:



Dimensions of lugs and the screw hole of air outlet/inlet flange:



Indoor Units

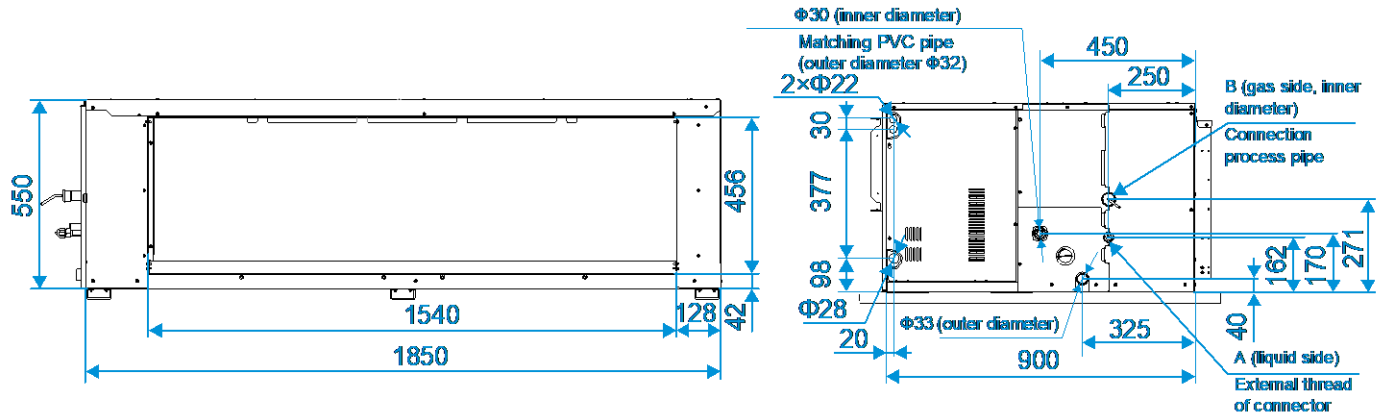


MIH400T1HN18 / MIH450T1HN18 / MIH560T1HN18

Figure 2.3: MIH400(450,560)T1HN18 dimensions (unit: mm)

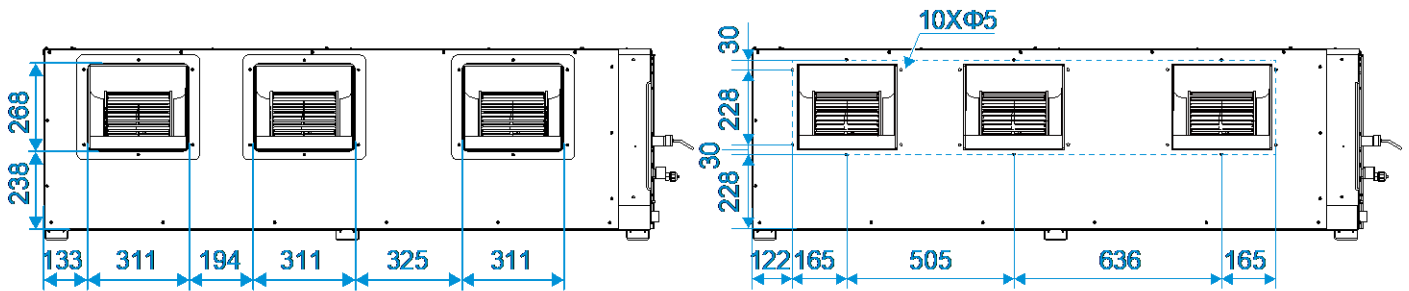
Capacity (kW)	A	B
$33.5 \leq kW \leq 40.0$	3/4-16 UNF	$\Phi 25.4$
$40.0 < kW \leq 56.0$	7/8-14 UNF	$\Phi 28.6$

Appearance and dimensions of the air inlets, piping, drain pipes, power cable hole and communication wire hole:

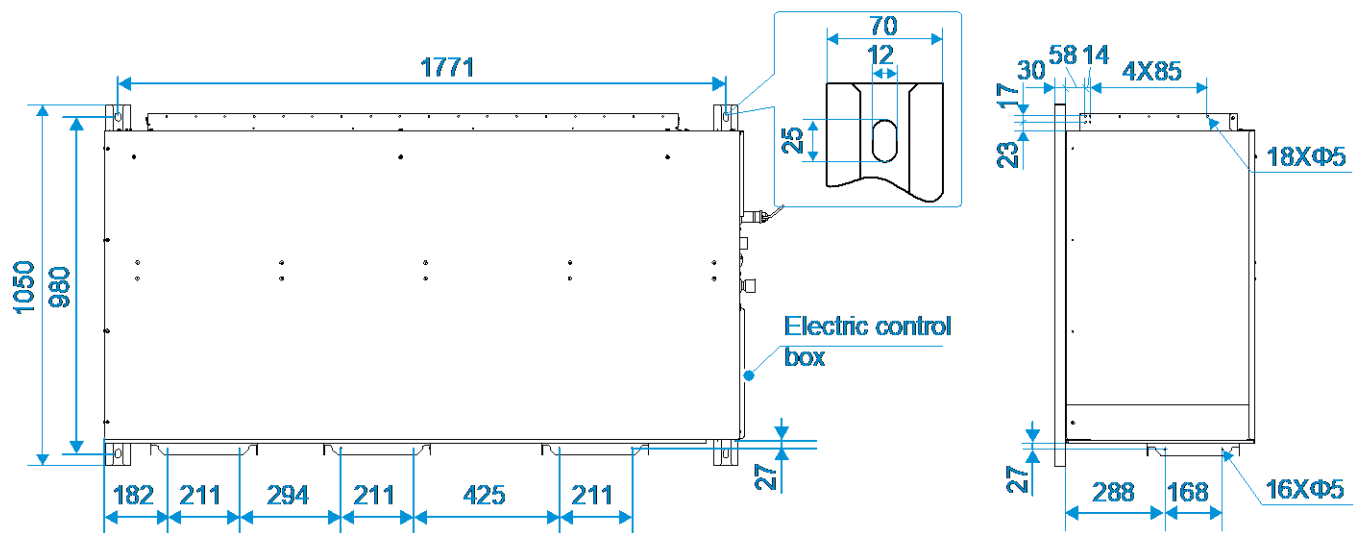


Dimensions of the air outlets:

Dimensions of the air duct installation hole after the air outlet flange is removed:



Dimensions of lugs and the screw hole of air outlet/inlet flange:



3 Unit Placement

3.1 Placement Considerations

Unit placement should take account of the following considerations:

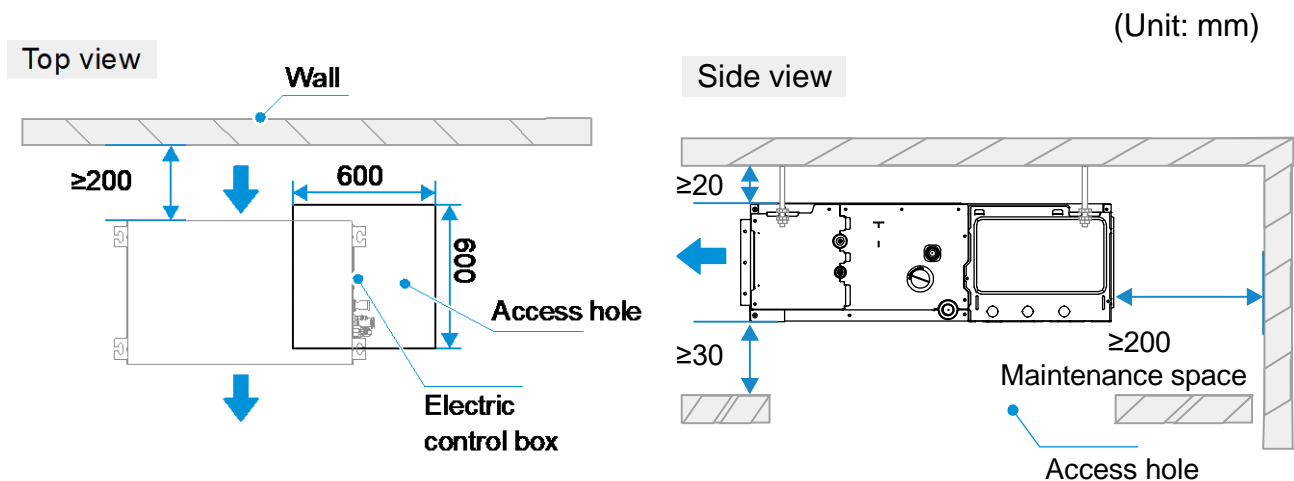
- Units should not be installed in the following locations:
 - Where exposure to direct radiation from a high-temperature heat source or to interference from a source of electromagnetic radiation may occur.
 - Where dust or dirt may affect heat exchangers.
 - Where exposure to oil or to corrosive or harmful gases, such as acidic or alkaline gases, may occur.
 - Where exposure to salinity may occur, such as seaside locations.
 - Where highly flammable materials are present.
 - Where exposure to oily air may occur, such as a kitchen.
 - Where exposure to very high humidity may occur, such as a laundry.
- Units should be installed in positions where:
 - The ceiling is horizontal and is able to bear the unit's weight.
 - There are no obstructions that could impede the airflow into and out of the unit.
 - The airflow out of the unit can reach throughout the room.
 - There is sufficient space for access during installation, servicing and maintenance.
 - The refrigerant piping and drain piping can be easily connected to the refrigerant piping and drain piping systems.
 - Short-circuit ventilation (where outlet air returns quickly to a unit's air inlet) will not occur.

3.2 Space Requirements

MIH56T1HN18 / MIH71T1HN18 / MIH80T1HN18/ MIH90T1HN18

MIH112T1HN18 / MIH125T1HN18/ MIH140T1HN18 / MIH160T1HN18

Figure 3.1: High Static Pressure Duct space requirements (unit: mm)



Indoor Units

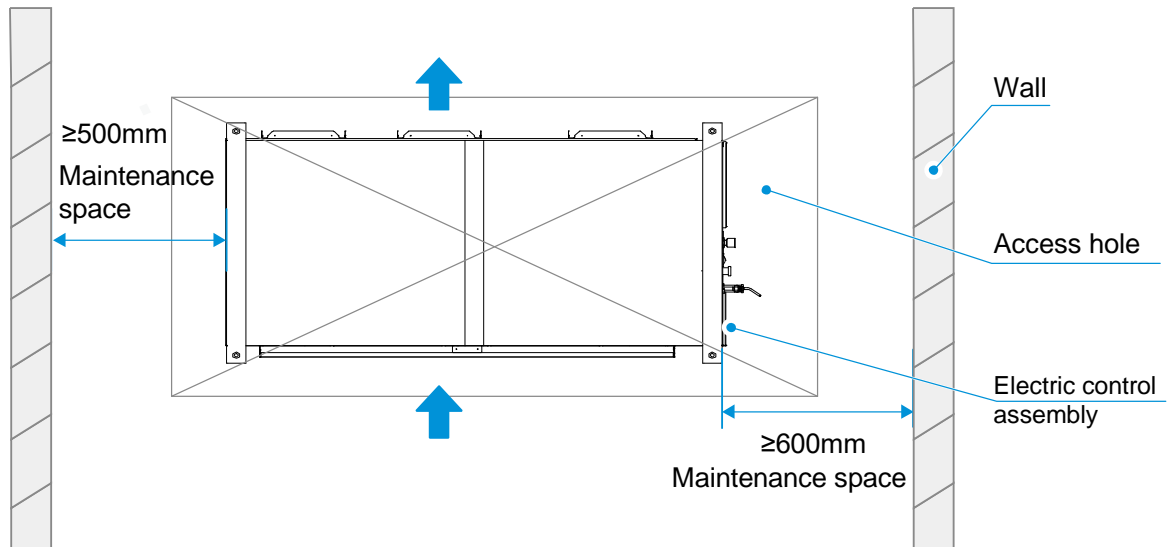
MIH200T1HN18 / MIH224T1HN18 / MIH252T1HN18/ MIH280T1HN18

MIH335T1HN18 / MIH400T1HN18/ MIH450T1HN18 / MIH560T1HN18

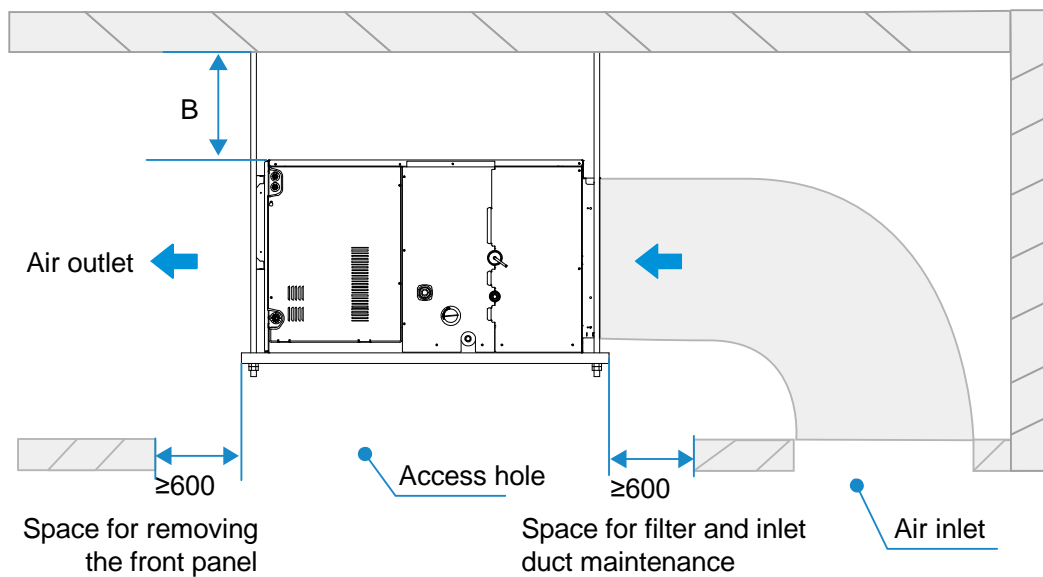
Figure 3.2: High Static Pressure Duct space requirements (unit: mm)

Bottom view

(Unit: mm)



Side view

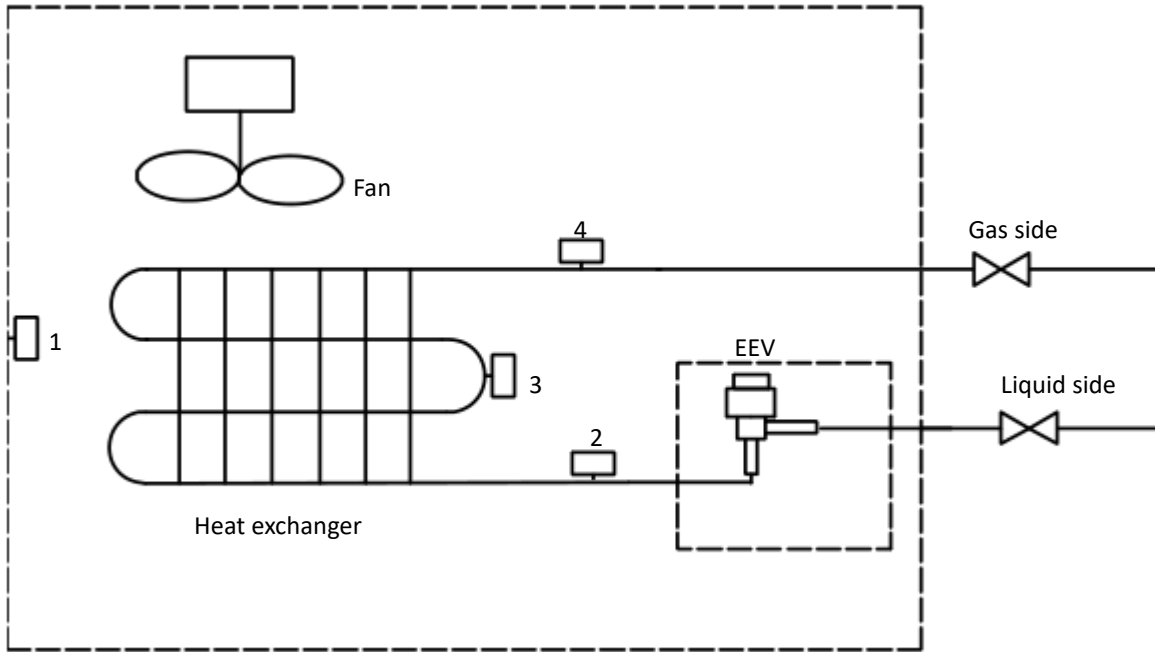


Notes for installers and service engineers

1. The distance between the indoor unit and the roof (B) shall be greater than 50mm to install the air duct.
2. The motor and fan can be maintained from the indoor unit top or the air outlet. If maintenance is performed from the indoor unit top, the distance between the indoor unit and the roof must be larger than 600mm. If maintenance is performed from the air outlet, the distance between the indoor unit and the roof must be larger than 50mm, with a minimum distance of 600mm allowed for removing the front panel.

4 Piping Diagrams

Figure 4.1: Piping diagram



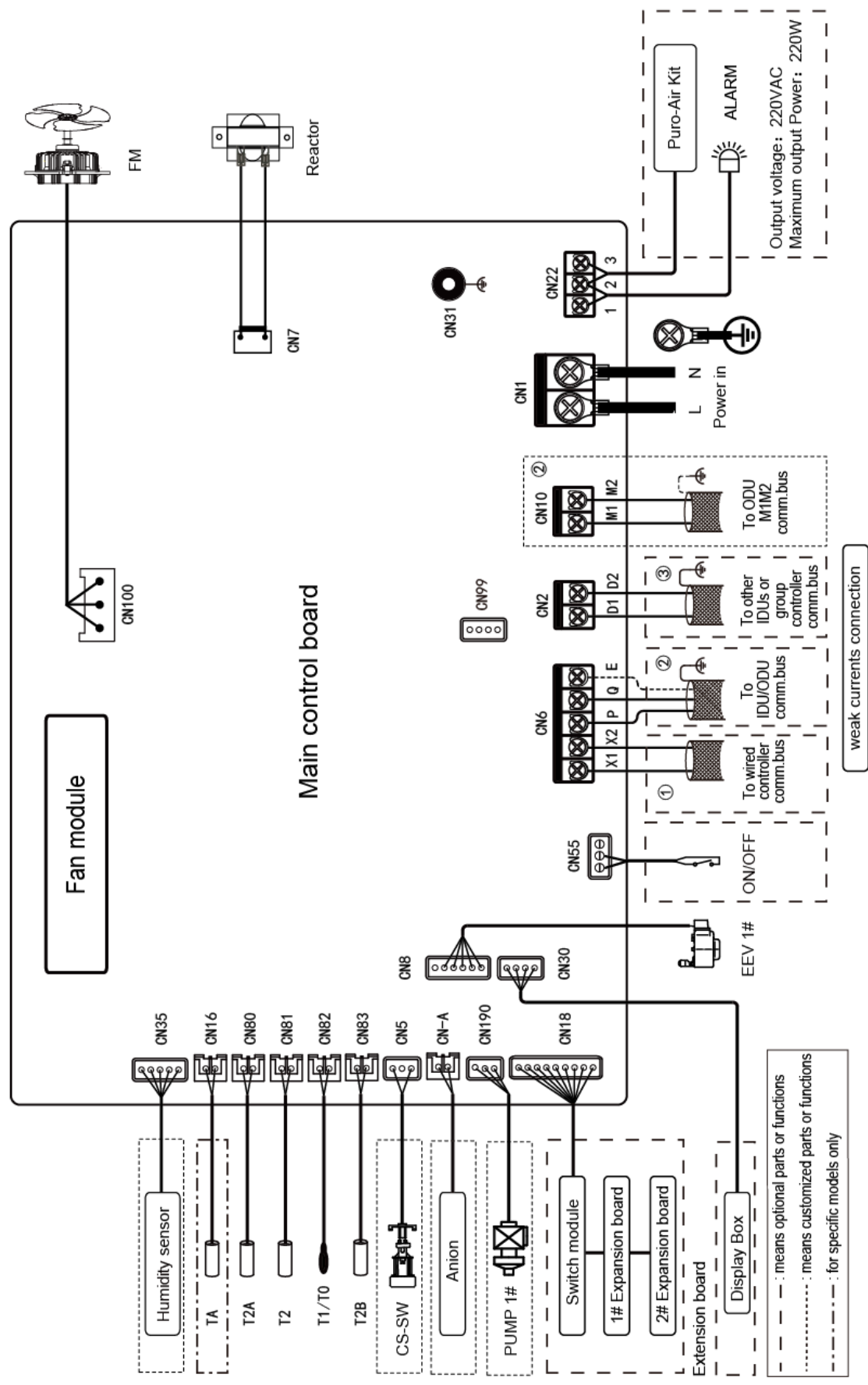
Legend		
1	T1	Inlet Air Temp. Sensor
2	T2A	Liquid Pipe Temp. Sensor
3	T2	Middle Pipe Temp. Sensor
4	T2B	Gas Pipe Temp. Sensor
5	EEV	Electronic expansion valve
6	FAN	Fan motor

Indoor Units

5 Wiring Diagrams

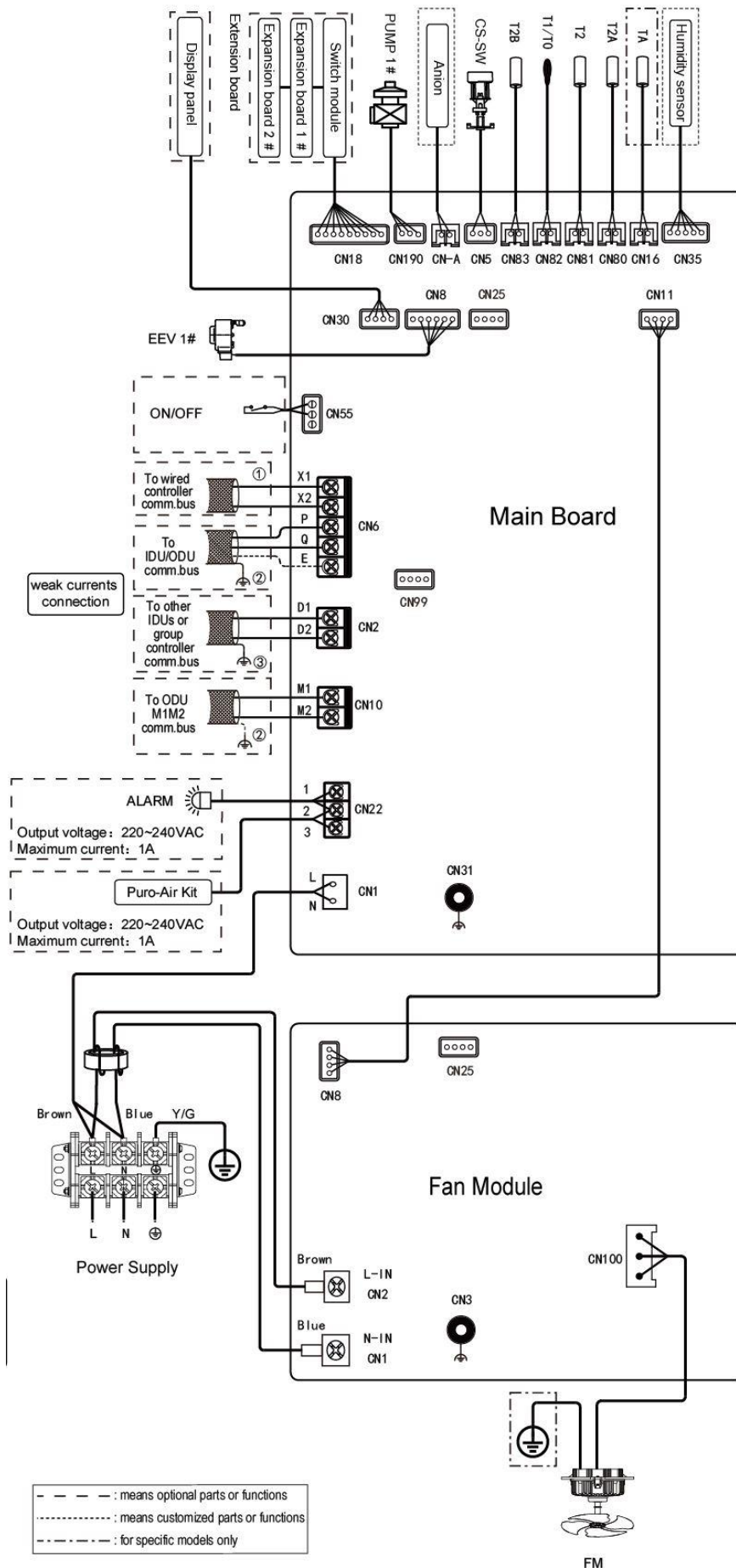
MIH56T1HN18 / MIH71T1HN18 / MIH80T1HN18/ MIH90T1HN18
 MIH112T1HN18 / MIH125T1HN18 / MIH140T1HN18 / MIH160T1HN18

Figure 5.1: MIH56(71,80,90,112,125,140,160)T1HN18 Duct wiring diagram



MIH200T1HN18 / MIH224T1HN18 / MIH252T1HN18/ MIH280T1HN18
 MIH335T1HN18 / MIH400T1HN18/ MIH450T1HN18 / MIH560T1HN18

Figure 5.2: MIH200(224,252,280,335,400,450,560)T1HN18 Duct wiring diagram



Legend				
Code	Name		Code	Name
XS XP	connectors		T1	Inlet Air Temp. Sensor
TA	Steam pipe temperature sensor*		T2B	Gas Pipe Temp. Sensor
CS-SW	Water level switch		T0	Fresh air inlet temperature sensor*
EEV	Electronic expansion valve		ALARM	Alarm output
Anion	Sterilization module		FM	DC Fan motor
T2A	Liquid Pipe Temp. Sensor		ON/OFF	Remote on/off
T2	Middle Pipe Temp. Sensor			

* Indicates that this sensor is only available for Fresh Air Processing Unit

Notes for installers and service engineers

Caution

- All installation, servicing and maintenance must be carried out by competent and suitably qualified, certified and accredited professionals and in accordance with all applicable legislation.
- Units should be grounded in accordance with all applicable legislation. Metal and other conductive components should be insulated in accordance with all applicable legislation.
- Power supply wiring should be securely fastened at the power supply terminals – loose power supply wiring would represent a fire risk.
- After installation, servicing or maintenance, the electric control box cover should be closed. Failing to close the electric control box cover risks fire or electric shock.
- The dotted lines indicate the field wiring or optional function.
- X1X2 communication ports can be connected to the wired controller.
- PQ and M1M2 communication ports both are used for indoor and outdoor communication, and only one of them can be used at a time. Meanwhile, be sure to connect the same communication ports (PQ to PQ; M1M2 to M1M2) in case of damage of the main control board.
- D1D2 communication ports are used for group control communication. When connecting the group controller, the D1D2 port of the indoor units that are to be group controlled must be connected in daisy chain, and the group controller must be connected to the X1X2 port of one of the indoor units in the group control, and set to group control mode. In addition, D1D2 communication ports can also be connected to the central controller.

6 Capacity Tables

6.1 Cooling Capacity Table

Table 6.1: High Static Pressure Duct cooling capacity

Model	Indoor air temperature (°C WB/DB)													
	14/20		16/23		18/26		19/27		20/28		22/30		24/32	
	TC	SC	TC	SC	TC	SC	TC	SC	TC	SC	TC	SC	TC	SC
MIH56T1HN18	5.0	4.8	5.3	4.8	5.6	4.9	5.6	4.7	5.7	4.6	5.8	4.3	6.0	4.1
MIH71T1HN18	6.3	6.0	6.7	6.1	7.0	6.1	7.1	6.0	7.2	5.8	7.4	5.5	7.6	5.2
MIH80T1HN18	7.1	6.8	7.6	6.9	7.9	6.9	8.0	6.7	8.1	6.5	8.3	6.1	8.5	5.8
MIH90T1HN18	8.0	7.5	8.5	7.6	8.9	7.7	9.0	7.5	9.1	7.2	9.4	6.9	9.6	6.6
MIH112T1HN18	9.9	9.3	10.6	9.5	11.1	9.6	11.2	9.3	11.3	9.0	11.6	8.5	11.9	8.1
MIH125T1HN18	11.0	10.1	11.8	10.4	12.4	10.5	12.5	10.2	12.6	9.9	12.9	9.4	13.3	9.0
MIH140T1HN18	12.4	11.3	13.2	11.6	13.8	11.7	14.0	11.4	14.2	11.1	14.5	10.5	14.9	10.1
MIH160T1HN18	14.2	13.1	15.1	13.3	15.8	13.5	16.0	13.1	16.2	12.7	16.6	12.1	17.0	11.7
MIH200T1HN18	17.7	16.1	18.9	16.5	19.8	16.8	20.0	16.3	20.2	15.8	20.8	15.1	21.2	14.4
MIH224T1HN18	19.8	18.0	21.1	18.5	22.1	18.7	22.4	18.3	22.6	17.7	23.2	16.8	23.7	16.1
MIH252T1HN18	22.3	20.3	23.8	20.8	24.9	21.1	25.2	20.5	25.5	19.9	26.1	18.9	26.7	18.1
MIH280T1HN18	24.8	22.6	26.4	23.1	27.6	23.4	28.0	22.8	28.3	22.1	29.0	21.0	29.7	20.1
MIH335T1HN18	29.6	26.9	31.6	27.6	33.1	28.0	33.5	27.3	33.8	26.4	34.7	25.1	35.5	24.1
MIH400T1HN18	35.4	32.1	37.7	32.9	39.5	33.4	40.0	32.5	40.4	31.5	41.5	30.0	42.4	28.7
MIH450T1HN18	39.8	36.1	42.4	37.0	44.4	37.5	45.0	36.6	45.4	35.4	46.6	33.7	47.6	32.2
MIH560T1HN18	49.5	45.5	52.8	46.5	55.2	47.0	56.0	45.8	56.5	44.3	58.0	42.1	59.3	40.8

Abbreviations:

TC: Total capacity (kW)

SC: Sensible capacity (kW)

Notes:

1. Shaded cells indicate rating condition

6.2 Heating Capacity Table

Table 7.2: High Static Pressure Duct heating capacity

Model	Indoor air temperature (°C DB)					
	16	18	20	21	22	24
	SHC	SHC	SHC	SHC	SHC	SHC
MIH56T1HN18	6.7	6.6	6.3	6.1	5.9	5.5
MIH71T1HN18	8.5	8.4	8.0	7.8	7.5	7.0
MIH80T1HN18	9.5	9.5	9.0	8.7	8.5	7.8
MIH90T1HN18	10.6	10.5	10.0	9.7	9.4	8.8
MIH112T1HN18	13.3	13.1	12.5	12.1	11.8	10.9
MIH125T1HN18	14.8	14.7	14.0	13.6	13.2	12.2
MIH140T1HN18	17.0	16.8	16.0	15.5	15.0	13.9
MIH160T1HN18	19.1	18.9	18.0	17.5	16.9	15.7
MIH200T1HN18	23.9	23.6	22.5	21.8	21.2	19.6
MIH224T1HN18	26.5	26.3	25.0	24.3	23.5	21.8
MIH252T1HN18	27.6	27.3	26.0	25.2	24.4	22.6
MIH280T1HN18	33.4	33.1	31.5	30.6	29.6	27.4
MIH335T1HN18	40.3	39.9	38.0	36.9	35.7	33.1
MIH400T1HN18	47.7	47.3	45.0	43.7	42.3	39.2
MIH450T1HN18	59.4	58.8	56.0	54.3	52.6	48.7
MIH560T1HN18	66.8	66.2	63.0	61.1	59.2	54.8

Abbreviations:

SHC: Sensible Heat Capacity (kW)

Notes:

1. Shaded cells indicate rating condition

7 Electrical Characteristics

Table 8.1: High Static Pressure Duct electrical characteristics

Model	Power supply						Indoor Fan Motor	
	Hz	Volts (V)	Min. volts	Max. volts	MCA (A)	MFA (A)	Rated power output (W)	FLA (A)
MIH56T1HN18	50/60	220-240	198	264	2.33	15	240	1.86
MIH71T1HN18	50/60	220-240	198	264	2.33		240	1.86
MIH80T1HN18	50/60	220-240	198	264	2.33		240	1.86
MIH90T1HN18	50/60	220-240	198	264	2.46		240	1.97
MIH112T1HN18	50/60	220-240	198	264	3.34		560	2.67
MIH125T1HN18	50/60	220-240	198	264	3.38		560	2.70
MIH140T1HN18	50/60	220-240	198	264	3.75		560	3.00
MIH160T1HN18	50/60	220-240	198	264	4.13		560	3.30
MIH200T1HN18	50/60	220-240	198	264	8.19	30	920	6.55
MIH224T1HN18	50/60	220-240	198	264	8.19		920	6.55
MIH252T1HN18	50/60	220-240	198	264	8.19		920	6.55
MIH280T1HN18	50/60	220-240	198	264	8.19		920	6.55
MIH335T1HN18	50/60	220-240	198	264	8.31		920	6.65
MIH400T1HN18	50/60	220-240	198	264	12.98		2300	10.38
MIH450T1HN18	50/60	220-240	198	264	12.98		2300	10.38
MIH560T1HN18	50/60	220-240	198	264	15.49		2300	12.39

Abbreviations:

MCA: Min. Circuit Amps. (A), which is used to select the minimum circuit size to ensure safe operation over a long period of time.

MFA: Max. Fuse Amps. (A), which is used to select the circuit breaker.

FLA: Full Load Amps. (A), which is the full load current of the indoor fan motor (reliable operation at the fastest speed setting).

8 Sound Levels

8.1 Overall

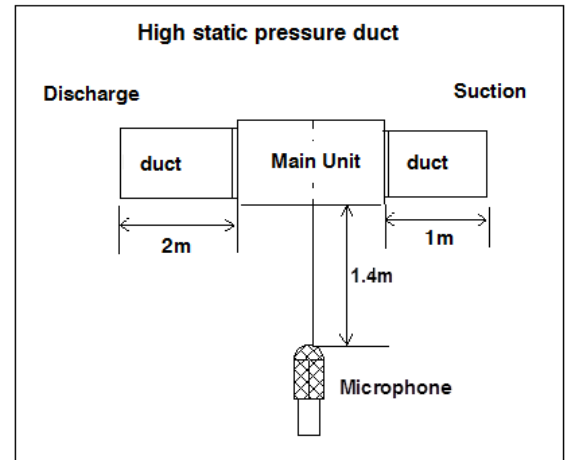
Table 8.1: High Static Pressure Duct sound pressure levels¹

Model name	Sound pressure levels dB(A)						
	SSH	SH	H	M	L	SL	SSL
MIH56T1HN18	39	38	36	35	33	32	30
MIH71T1HN18	39	38	36	35	33	32	30
MIH80T1HN18	39	38	36	35	33	32	30
MIH90T1HN18	40	39	37	36	34	33	31
MIH112T1HN18	41	40	38	37	35	34	32
MIH125T1HN18	41	40	39	37	36	35	33
MIH140T1HN18	43	42	40	39	37	36	34
MIH160T1HN18	44	43	41	40	38	37	35
MIH200T1HN18	51	50	48	46	44	43	42
MIH224T1HN18	51	50	48	46	44	43	42
MIH252T1HN18	51	50	48	46	44	43	42
MIH280T1HN18	51	50	48	46	44	43	42
MIH335T1HN18	52	51	49	48	46	44	43
MIH400T1HN18	58	56	54	52	50	49	48
MIH450T1HN18	58	56	54	52	50	49	48
MIH560T1HN18	59	58	56	54	53	51	49

Notes:

1. Sound pressure levels are measured 1.4m below the unit in an anechoic chamber. During in-situ operation, sound pressure levels may be higher as a result of ambient noise.

Figure 8.1: High Static Pressure Duct sound pressure level measurement



8.2 Octave Band Levels

Figure 8.2: MIH56(71,80)T1HN18 octave band levels

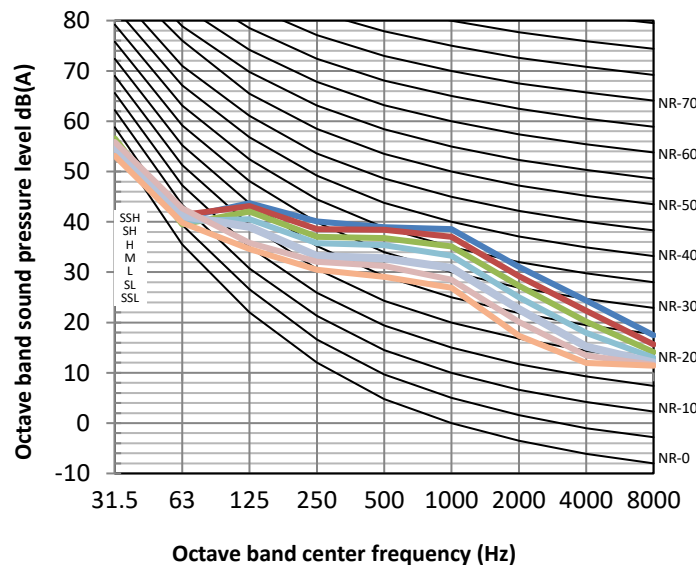


Figure 8.3: MIH90T1HN18 octave band levels

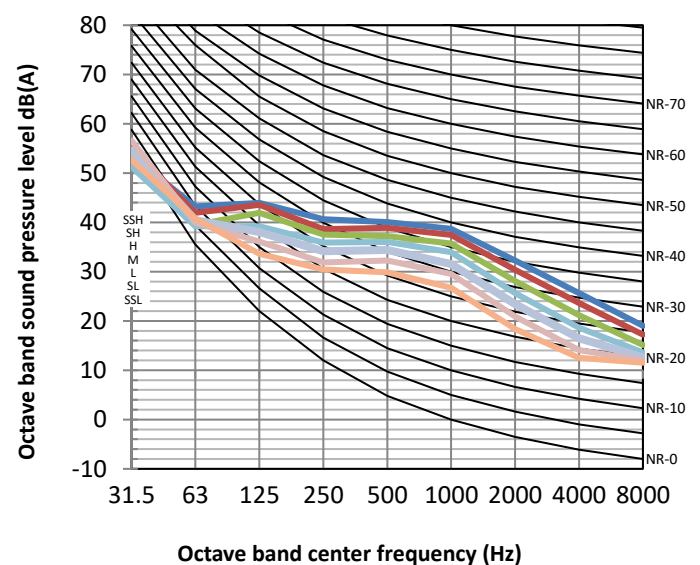


Figure 8.4: MIH112T1HN18 octave band levels

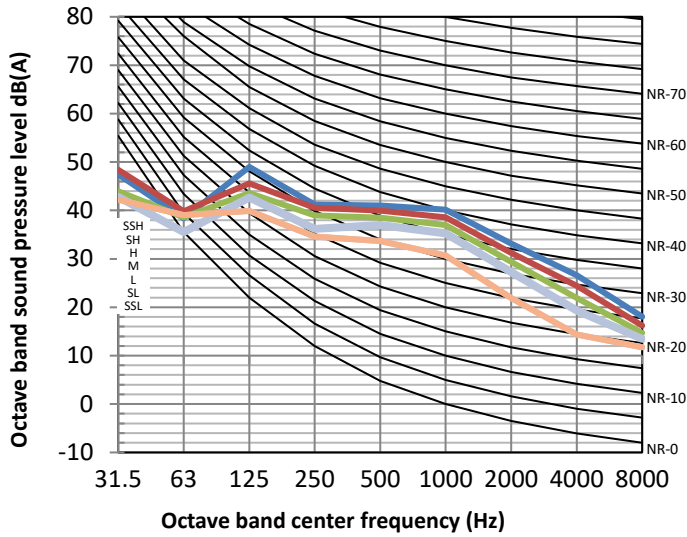


Figure 8.5: MIH125T1HN18 octave band levels

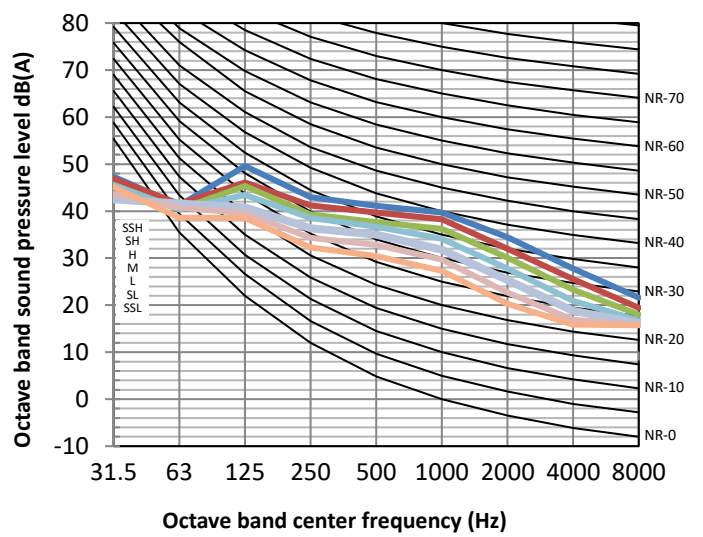


Figure 8.6: MIH140T1HN18 octave band levels

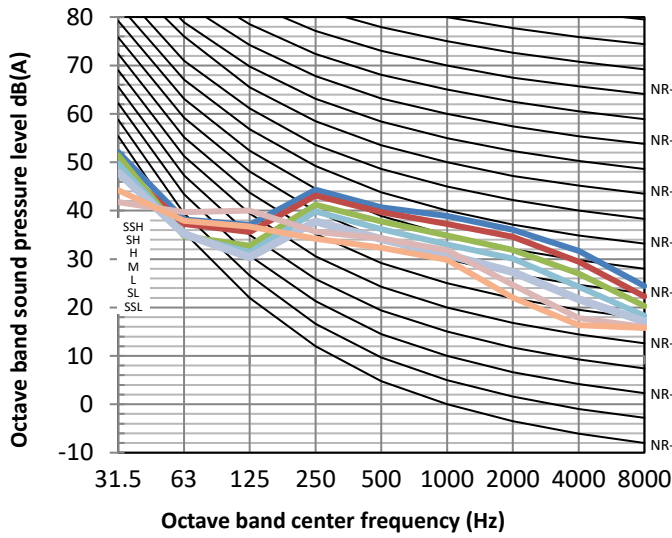


Figure 8.7: MIH160T1HN18 octave band levels

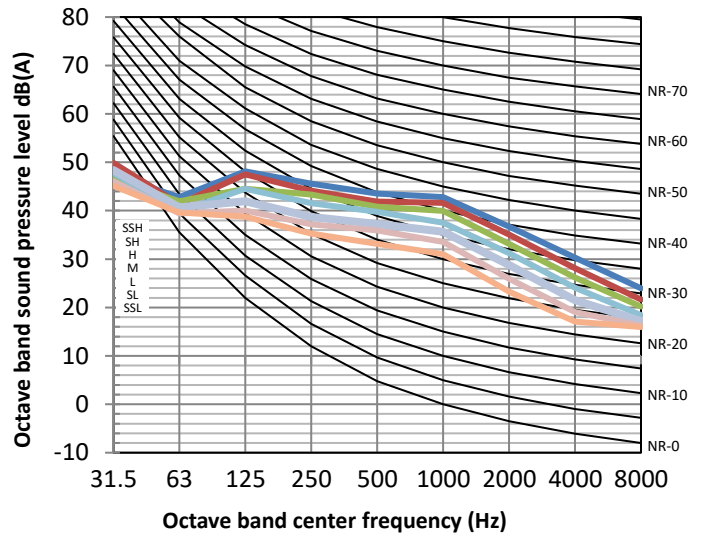


Figure 8.8: MIH200T1HN18 octave band levels

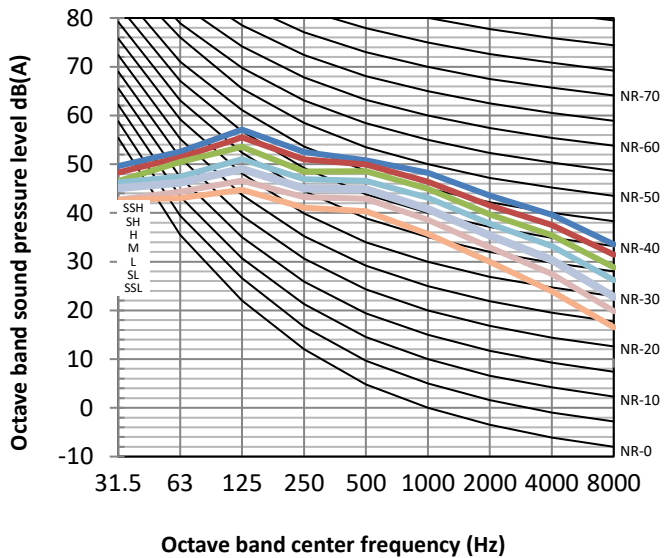


Figure 8.9: MIH224T1HN18 octave band levels

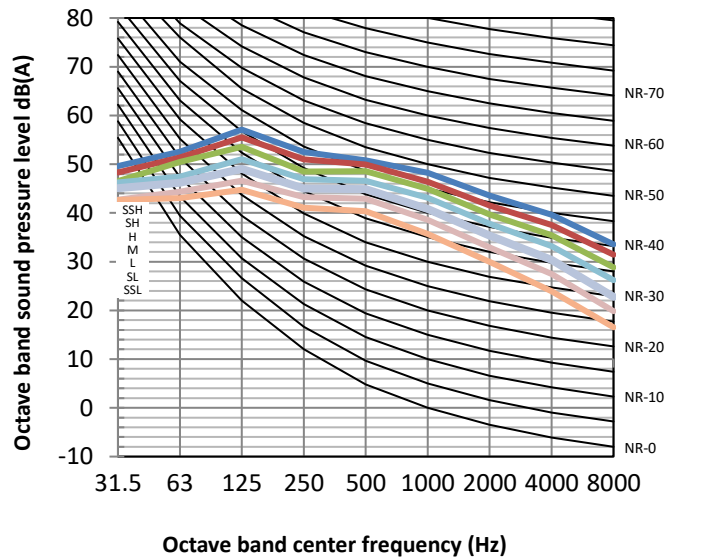


Figure 8.10: MIH252T1HN18 octave band levels

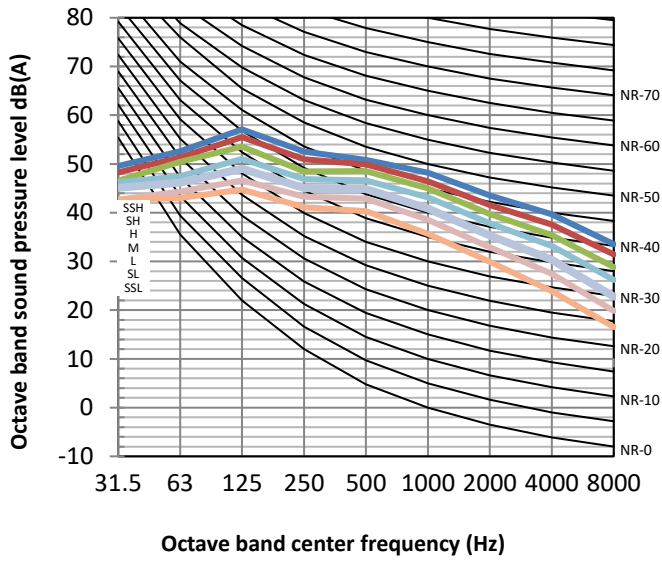


Figure 8.11: MIH280T1HN18 octave band levels

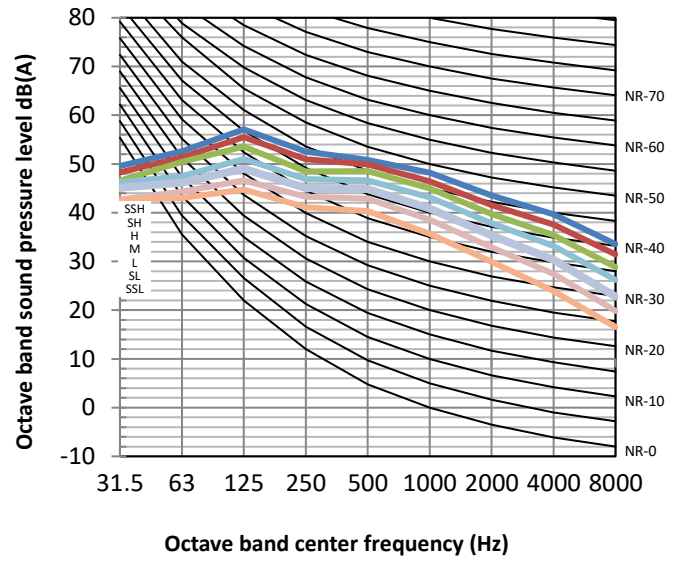


Figure 8.12: MIH335T1HN18 octave band levels

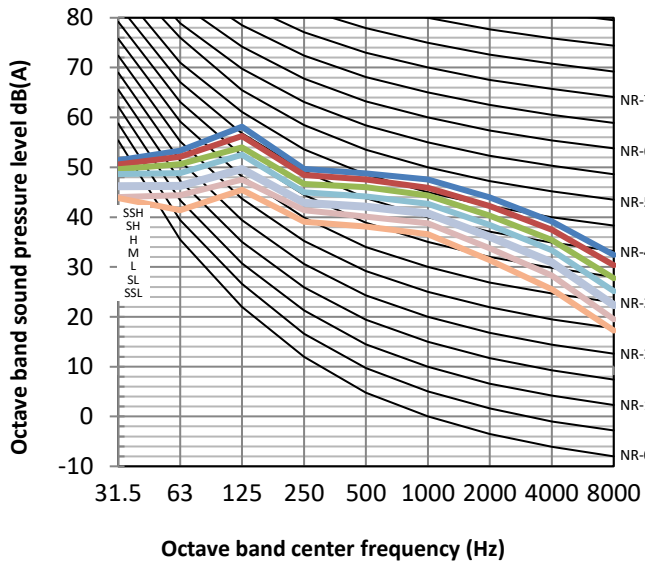


Figure 8.13: MIH400T1HN18 octave band levels

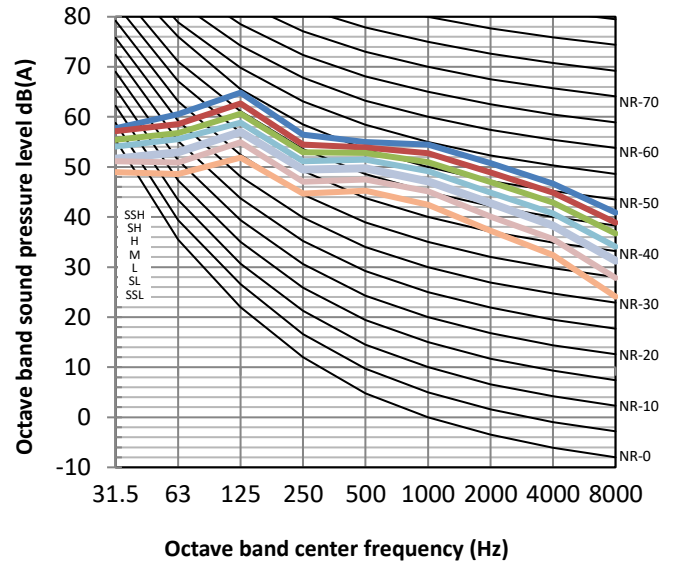


Figure 8.14: MIH450T1HN18 octave band levels

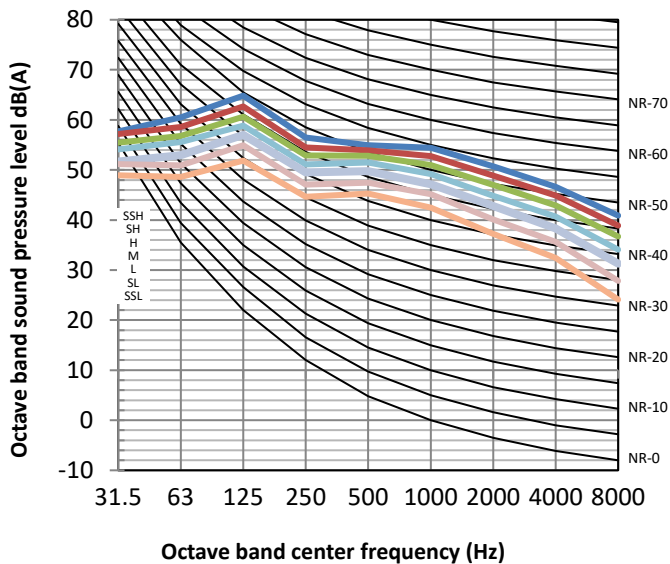
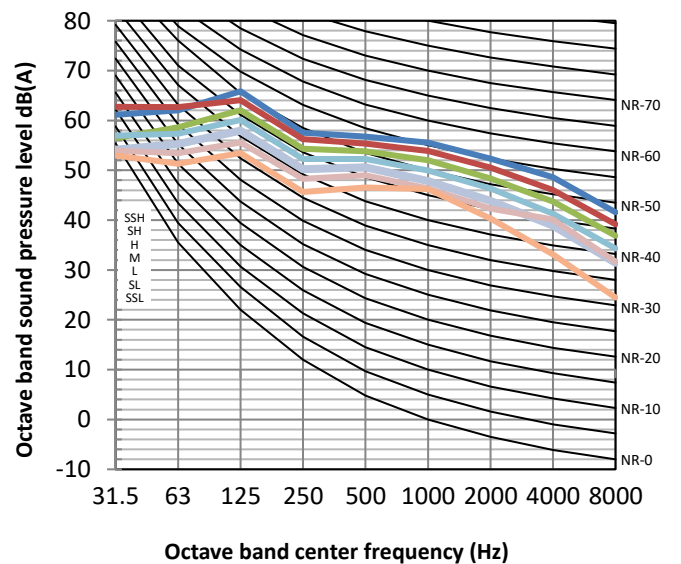


Figure 8.15: MIH560T1HN18 octave band levels



9 Fan Performance

9.1 How to switch between Constant Airflow mode and Constant Speed mode

① In the main interface, press "☰" + "↵" for 3 seconds at the same time, and the main interface will display "CC". Press the "▲" and "▼" to select the indoor unit ("n00-n63" is displayed, and the last two digits are the indoor unit addresses). Press the "↵" to enter the parameter setting interface, and "n00" will be displayed.

② Press the "▲" and "▼" until "N30" is displayed on the page, and then

press the "↵" to enter the mode setting. Use the "▲" and "▼" keys to adjust to the demand mode parameter values, and press the "↵" to confirm.

③ Press the "⌚" button to return to the previous menu and exit the parameter setting. Parameter setting will also exit after 60 s of no operation

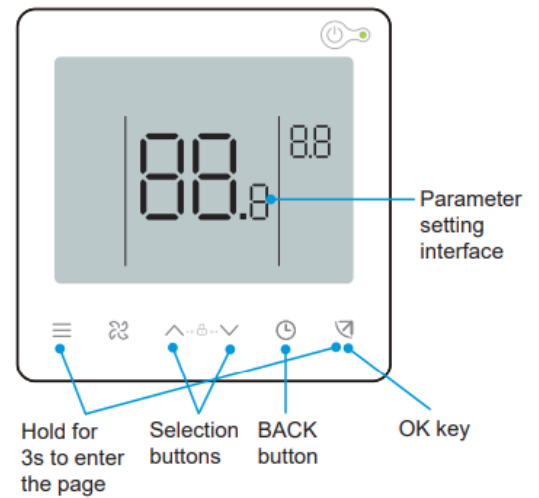


Table 9.1: Mode setting

First level menu	Second level menu	Description	Default
n30	00	Constant Speed	-
	01	Constant Airflow	√

Notes:

- The above is only an example. If you choose other controllers, please refer to their instructions for setting.

9.2 Constant Airflow mode

9.2.1 Fan performance diagram

Figure 9.1: MIH56(71,80)T1HN18

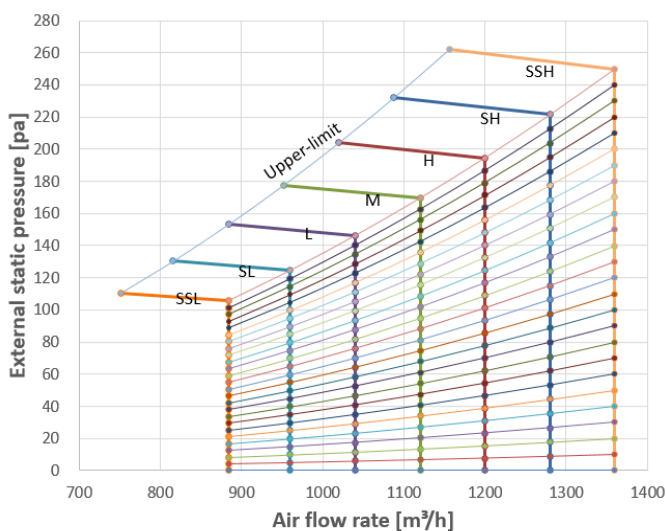


Figure 9.2: MIH90T1HN18

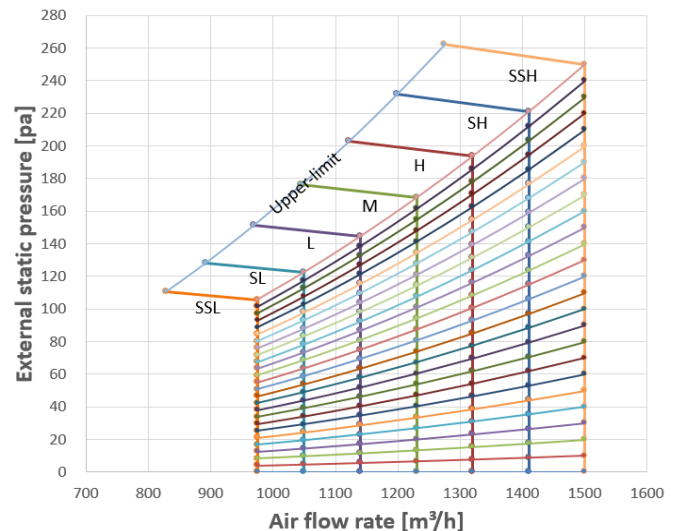


Figure 9.3: MIH112T1HN18

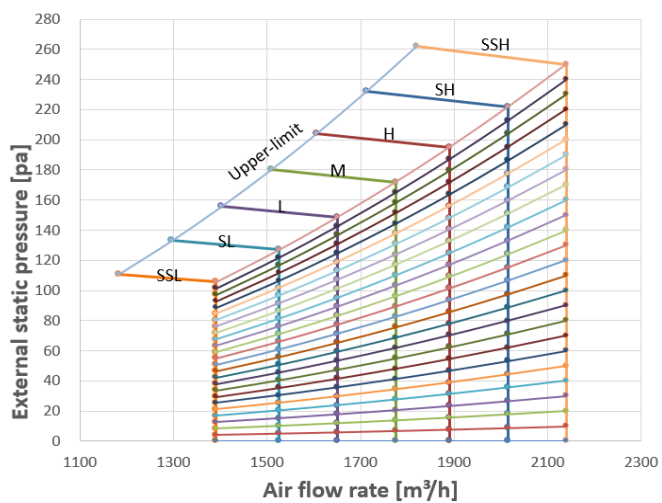


Figure 9.4: MIH125T1HN18

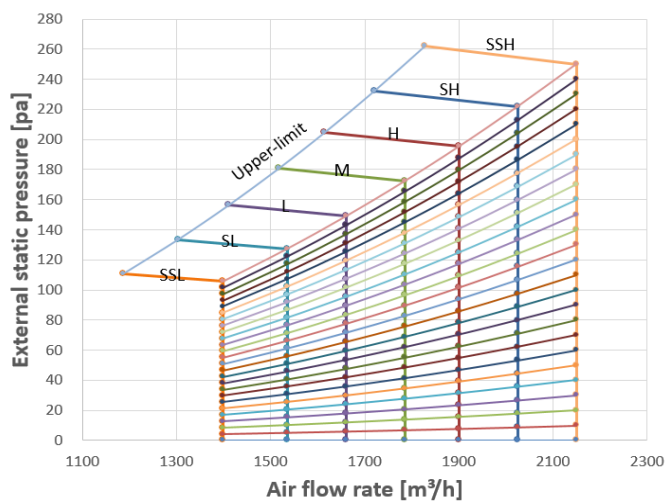


Figure 9.5: MIH140T1HN18

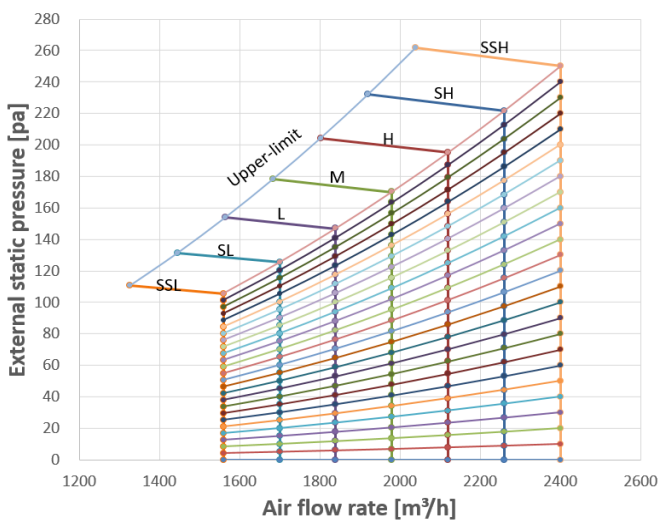


Figure 9.6: MIH160T1HN18

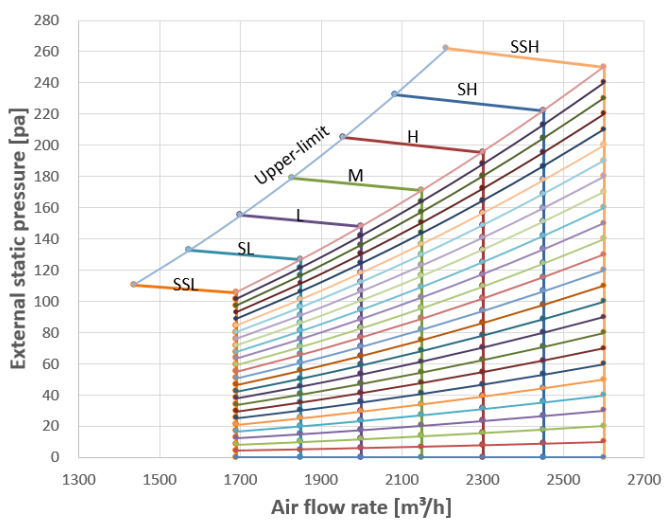


Figure 9.7: MIH200(224,252,280)T1HN18

Figure 9.8: MIH335T1HN18

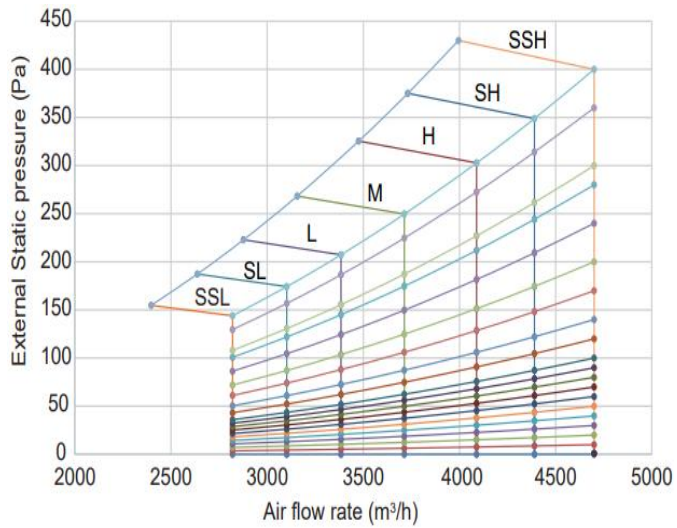


Figure 9.9: MIH400(450)T1HN18

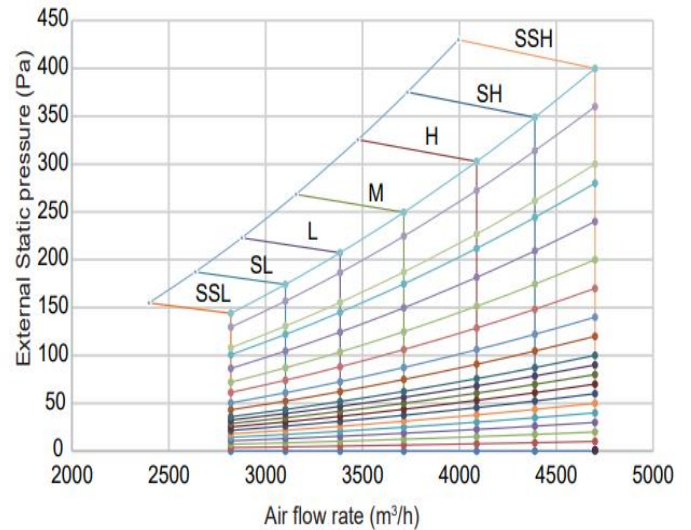
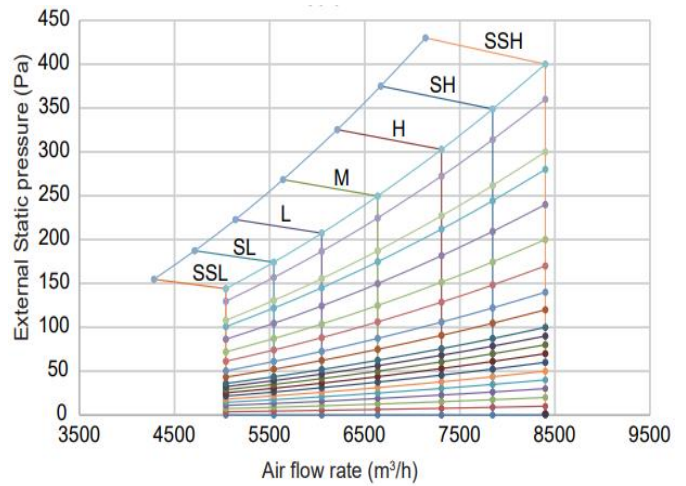
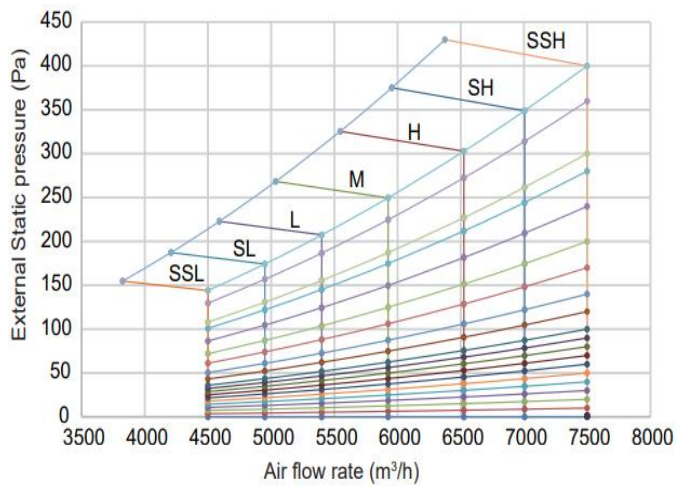


Figure 9.10: MIH560T1HN18



9.2.2 How to Read the Diagram (Constant Airflow mode)

The vertical axis is the External Static Pressure (Pa) while the horizontal axis represents the Air Flow (m^3/h). The characteristic curve for the “SSH”, “SH”, “H”, “M”, “L”, “SL” and “SSL” fan speed control.

For MIH140T1HN18, in “H” windshield, when the external static pressure is less than 195 Pa, the air flow keeps 2120 m^3/h , but when the external static pressure is greater than 195 Pa, the air flow begins to decline, and the allowable maximum external static pressure is 204 Pa.

9.3 Constant Speed mode

9.3.1 Set external static pressure parameters

Indoor Units

① In the main interface, press "☰" + "↵" for 3 seconds at the same time, and the main interface will display "CC". Press the "▲" and "▼" to select the indoor unit ("n00-n63" is displayed, and the last two digits are the indoor unit addresses). Press the "↵" to enter the parameter setting interface, and "n00" will be displayed.

② When "n00" is displayed, press the "↵" to enter the static pressure setting. Use the "▲" and "▼" keys to adjust to the demand parameter values, and press the "↵" to confirm.

③ Press the "⌚" button to return to the previous menu and exit the parameter setting. Parameter setting will also exit after 60 s of no operation

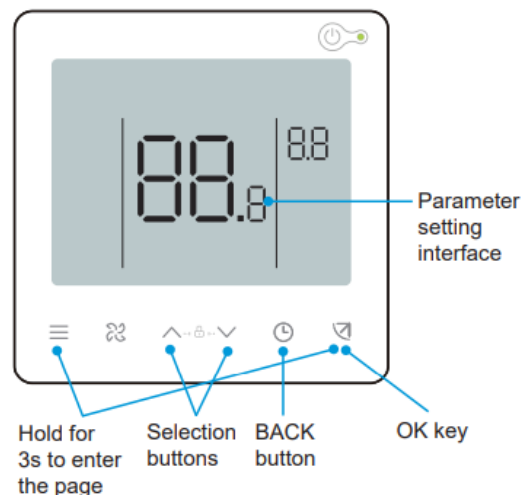


Table 9.1: External static pressure setting (5.6-16kW)

First level menu	Second level menu	Description	Default
N00	00/01/02/03/04/05/~ /19	Static pressure level	08(5.6-11.2kW) 10(12.5-16.0kW)

Level	00	01	02	03	04	05	06	07	08	09	10	11	12	13	14	15	16	17	18	19
Static pressure(Pa)	0	10	20	30	40	50	60	70	80	90	100	110	120	130	140	160	180	200	220	250

Table 9.2: External static pressure setting (20-56kW)

First level menu	Second level menu	Description	Default
N00	00/01/02/03/04/05/~ /19	Static pressure level	14(20-33.5kW) 17(40-56kW)

Level	00	01	02	03	04	05	06	07	08	09	10	11	12	13	14	15	16	17	18	19
Static pressure(Pa)	0	10	20	30	40	50	60	70	80	90	100	120	140	170	200	240	280	300	360	400

Notes:

1. The above is only an example of 86S wired controller. If you choose other controllers, please refer to their manuals for setting.

9.3.2 Fan performance diagram

Figure 9.11: MIH56(71,80)T1HN18

Figure 9.12: MIH90T1HN18

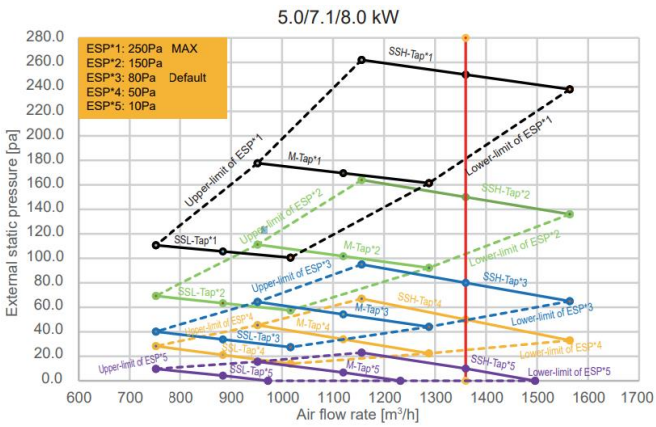


Figure 9.13: MIH112T1HN18

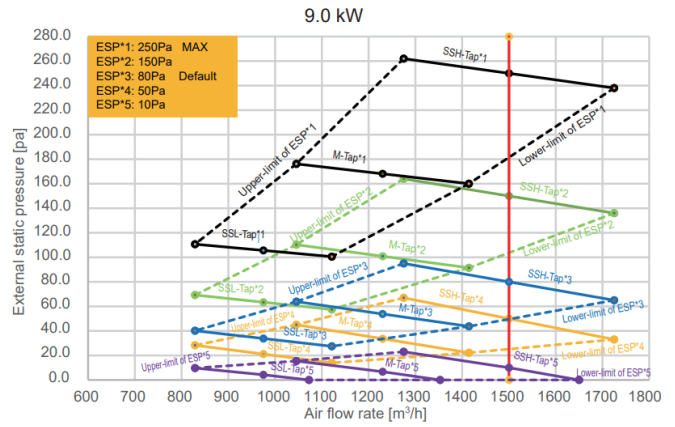


Figure 9.14: MIH125T1HN18

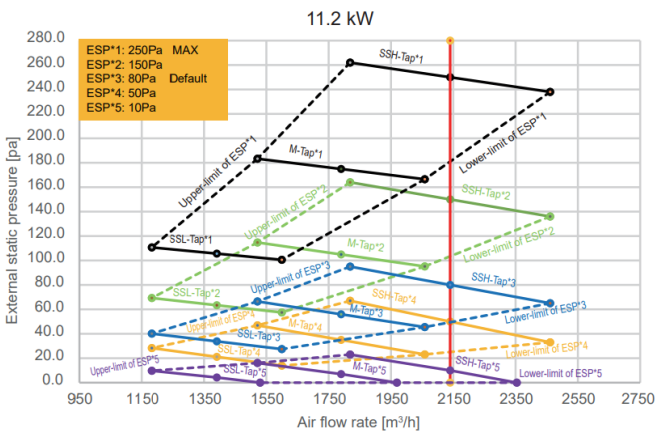


Figure 9.15: MIH140T1HN18

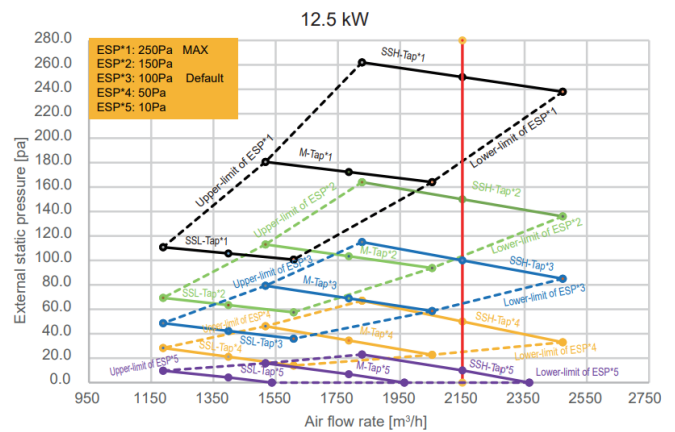


Figure 9.16: MIH160T1HN18

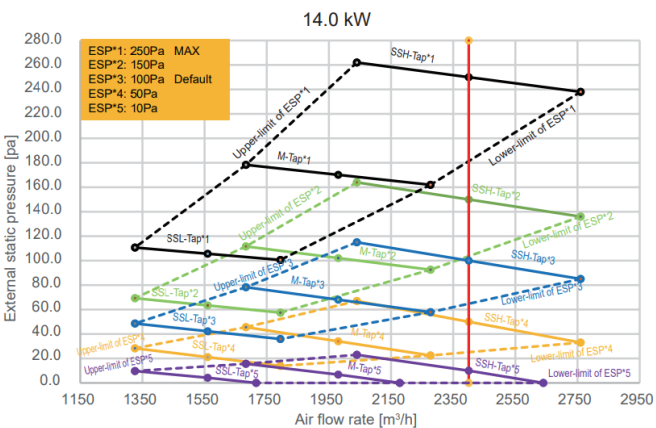


Figure 9.17: MIH200(224,252,280)T1HN18

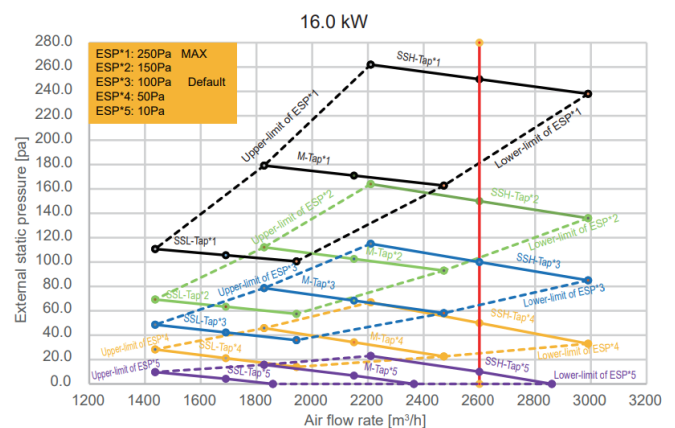


Figure 9.18: MIH335T1HN18

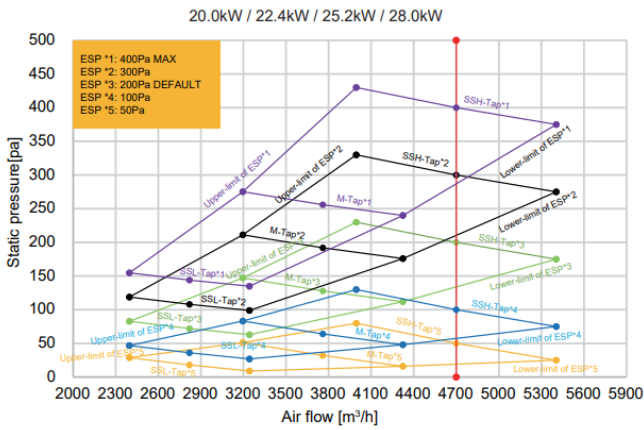


Figure 9.19: MIH400(45)T1HN18

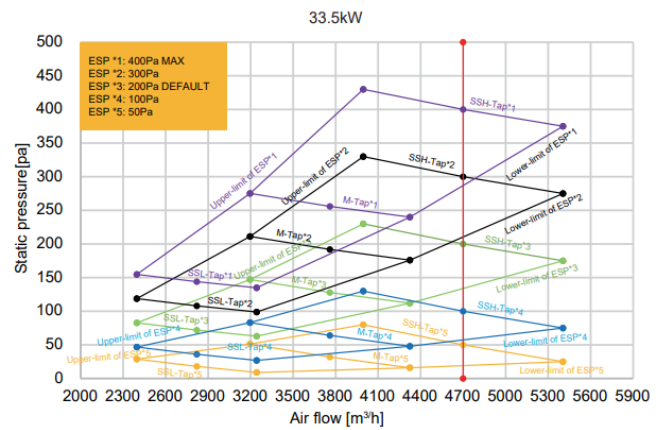
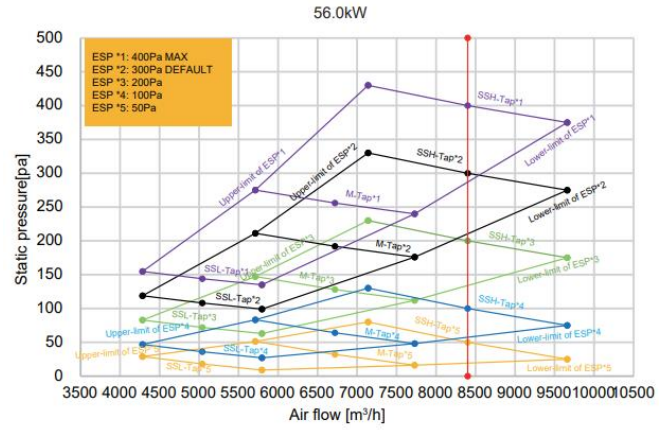
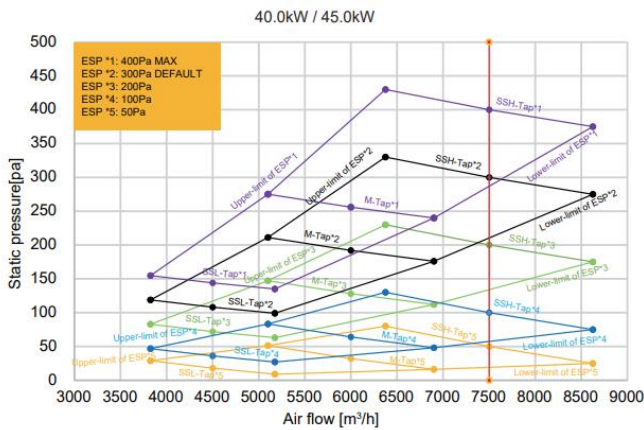


Figure 9.20: MIH560T1HN18



9.3.3 How to Read the Diagram (Constant Speed mode)

The vertical axis is the External Static Pressure (Pa) while the horizontal axis represents the Air Flow (m³/h). The characteristic curve for the “SSH”, “M” and “SSL” fan speed control.

The Air Flow decreases with the increase of the external static pressure. For MIH140T1HN18, in “SSH” windshield and “100Pa” setting static pressure, when the external static pressure is 100Pa, the air flow is 2400 m³/h, and the allowable external static pressure range is 85Pa to 115Pa.

Midea Building Technologies Division
Midea Group

Add.: Midea Headquarters Building, 6 Midea Avenue, Shunde, Foshan, Guangdong, China

Postal code: 528311

mbt.midea.com / www.midea-group.com/ tsp.midea.com/

Note: Product specifications change from time to time as product improvements and developments are released and may vary from those in this document.

