



Hotel card-insertter for central air conditioner Installation and operation manual



Available model: MA-HKCW

Thank you very much for purchasing our product.
Before using the product, please read this manual carefully and keep it for future.

MDV13IU-002CW (onoff)
1612600005327

Safety Precautions

-  Read the safety precautions carefully before installing the unit.
-  Following contents are for danger prevention, please keep in mind.

 Warning	Means improper handling may lead to personal death or severe injury.
 Note	Means improper handling may lead to personal injury or property loss.

Warning

- Please entrust the distributor or professionals to install the unit.
Installation by other persons may lead to imperfect installation, electric shock or fire.
- Adhere to this installation manual.
Improper installation may lead to electric shock or fire.
- Reinstallation must be performed by professionals.
Improper installation may lead to electric shock or fire.
- Do not uninstall the unit randomly.
Random uninstalling may lead to abnormal operation, heating or fire of the central heating water unit.

Note

- Do not install the unit in a place vulnerable to leakage of flammable gases.
Once flammable gases are leaked and left around the wire controller, fire may occur.
- The wiring shall adapt to the wire controller current.
Otherwise, electric leakage or heating may occur and result in fire.
- The specified cables shall be applied in the wiring.
No external force may be applied to the terminal.
Otherwise, wire cut and heating may occur and result in fire.

Miscellaneous

About the installation site:

Do not install the unit in a place with much oil, steam, sulfide gas.
Otherwise, the product may deform and fail. Preparation before installation.

1. Check whether the following assemblies are complete.

NO.	NAME	Quantity	Remarks
1	Hotel card-insertter	1	MA-HKCW
2	Fastening cross groove round head wooden screw	3	M4X20 DG950-86 zinc electroplating with iridescent yellow chromate conversion coating (applied if the unit is installed on a wall)
3	Fastening cross groove pan head self-tapping screw	3	M4X25 DG950-86 zinc electroplating with iridescent yellow chromate conversion coating (applied if the unit is installed on an electrician switch box)
4	Installation and operation manual	1	_____

2. Prepare the following assemblies on the site

NO.	NAME	Quantity (embedded into/onto wall)	Specifications (for reference only)	Remarks
1	Switch box	1	_____	_____
2	Wiring pipe	1	_____	insulation casing pipe and locking screw

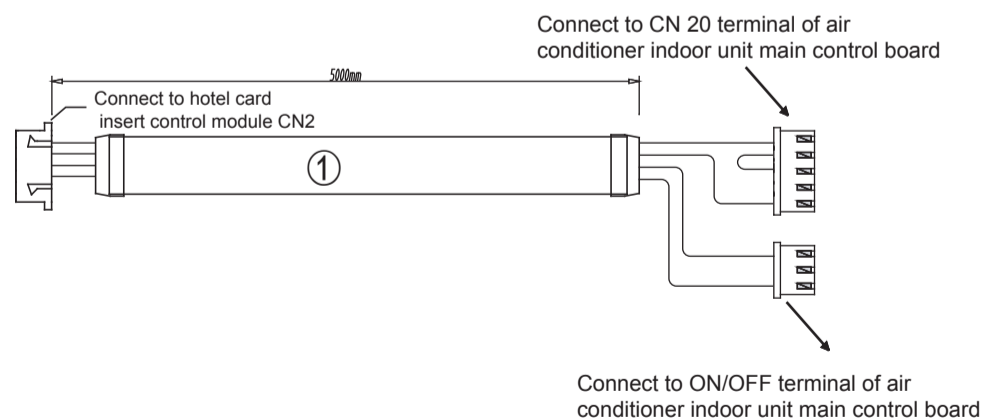
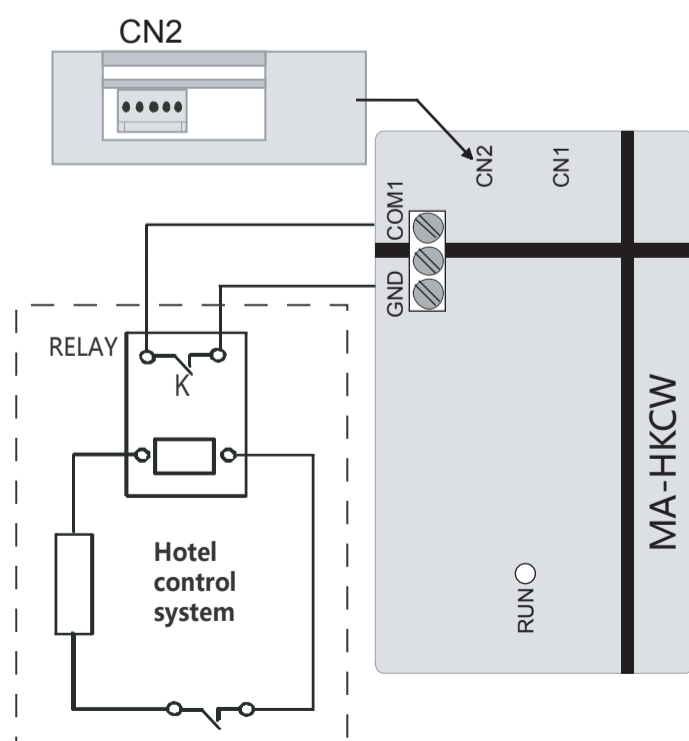
Notes to installation of hotel card-insertter:

This manual describes the procedure of installing and usage of the hotel card-insertter.

1. For connection between hotel card-insertter and main unit, see the wiring diagram in this installation manual.
2. Hotel card-insertter should not need any other external power supply.
3. Hotel card-insertter is a low-voltage circuit, it can not contact the high voltage directly.
4. No joint or extension is allowed in the middle of the connection of the hotel card-insertter.
5. After the hotel card-insertter connected, do not use the megameter for the insulation inspection.

Installation Method

Wiring method and figure:



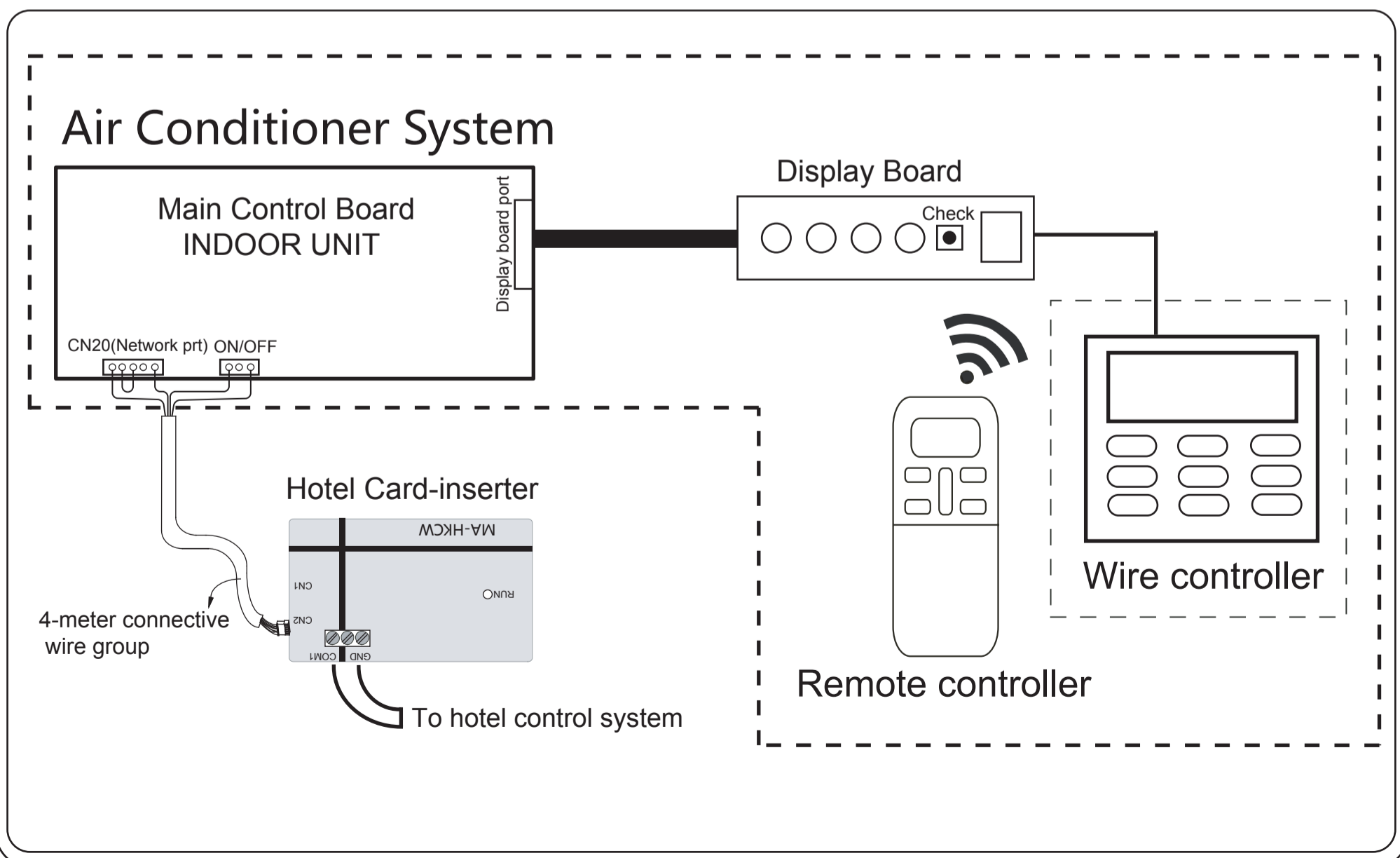
CAUTION

- The COM1 and GND input port of hotel card-insertter is a switch signal, which must be connected to the hotel control system through a RELAY component for controlling the ON or OFF state between COM1 and GND.
- When the COM1 and GND input port connects with the relay, it is unnecessary to consider the wire sequence. But the wiring length must be short as possible.
- The ①②③ connecting wires are standard wires. The ③ connecting wire is only used for the situation which you need use the hotel card-insertter and the network module at the same time.

Operation Method

1. Follow the installation method for wiring;
then power on the air-conditioner, and the indication lamp of hotel card-inserter will be lighted.
2. Press the "ON/OFF" key on the remote or wire controller to operate the air conditioner.
 - ① If there is a card (means connecting the COM1 and GND through the relay closing),
the air conditioner will be operated and could be controlled normally.
 - ② If there is no card (means disconnect the COM1 and GND through the relay opening),
the air conditioner will not be operated and only buzzes twice.
3. When pulling out the card (means the relay from closing to opening), the hotel card-inserter will send OFF information twice automatically;
When inserting the card (means the relay from opening to closing), the hotel card-inserter will wait for 3 seconds, then send memory information to operate the air conditioner.
4. Each re-power on, it will be necessary to use the remote or wire controller to operate the indoor unit firstly, which will make the hotel card-inserter remember the last setting information.
(Means:
As long as the unit is not powered off, it will turn off (turn on) the unit that pull out (insert) the card.)
5. Each re-power on, the hotel card-inserter will detect the status of card ("A card" or "no card").
If the status is no card, then the air conditioner will be off with twice buzzing.
6. Receive and handle the information from the remote or wire controller, then transmit to the indoor unit.
Under the situation of the unit powered on, the hotel card-inserter could remember the last setting information from the remote or wire controller.
(in which, the timer, economy and swing etc. information only transmit but unremember.)

WIRING DIAGRAM



更改记录（仅做说明用，不做菲林）

尺寸：A3 材质：80g双胶纸 颜色：黑白印刷

2021.2.7 说明书材质更改为双胶纸80g，说明书内容不变，图号不升级。