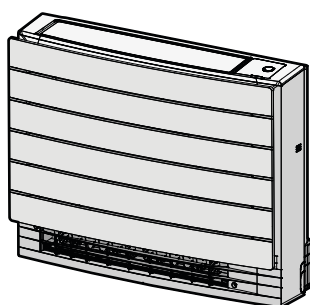




Installation manual

Split system air conditioners



CVXM20A2V1B
CVXM20A3V1B
FVXM25A2V1B
FVXM35A2V1B
FVXM50A2V1B
FVXM25A3V1B
FVXM35A3V1B
FVXM50A3V1B

Installation manual
Split system air conditioners

English

Table of Contents

1	About the documentation	2
1.1	About this document.....	2
2	Specific installer safety instructions	2
3	About the box	3
3.1	Indoor unit	3
3.1.1	To remove the accessories from the indoor unit.....	3
4	About the unit	3
4.1	About the wireless LAN	4
4.1.1	Precautions when using the wireless LAN.....	4
4.1.2	Basic parameters	4
5	Unit installation	4
5.1	Preparing the installation site	4
5.1.1	Installation site requirements of the indoor unit	4
5.2	Mounting the indoor unit.....	4
5.2.1	To install the indoor unit.....	4
5.2.2	To drill a wall hole	7
5.2.3	To remove the slit portions.....	7
5.3	Connecting the drain piping.....	7
5.3.1	General guidelines	7
5.3.2	To connect the drain piping to the indoor unit.....	7
5.3.3	To check for water leaks	8
6	Piping installation	8
6.1	Preparing refrigerant piping.....	8
6.1.1	Refrigerant piping requirements.....	8
6.1.2	Refrigerant piping insulation	8
6.2	Connecting the refrigerant piping	9
6.2.1	To connect the refrigerant piping to the indoor unit	9
7	Electrical installation	9
7.1	Specifications of standard wiring components	9
7.2	To connect the electrical wiring to the indoor unit	9
7.3	To connect optional accessories (wired user interface, central user interface, wireless adapter, etc.)	10
8	Finishing the indoor unit installation	10
8.1	To finish the indoor unit installation	10
9	Configuration	10
10	Commissioning	10
10.1	To perform a test run.....	10
10.1.1	To perform a test run using the wireless remote control	10
11	Disposal	11
12	Technical data	11
12.1	Wiring diagram	11
12.1.1	Unified wiring diagram legend.....	11

1 About the documentation

1.1 About this document

WARNING

Make sure installation, servicing, maintenance, repair and applied materials follow the instructions from Daikin and, in addition, comply with applicable legislation and are performed by qualified persons only. In Europe and areas where IEC standards apply, EN/IEC 60335-2-40 is the applicable standard.

INFORMATION

Make sure that the user has the printed documentation and ask him/her to keep it for future reference.

Target audience


Authorised installers

INFORMATION

This appliance is intended to be used by expert or trained users in shops, in light industry, and on farms, or for commercial and household use by lay persons.

Documentation set

This document is part of a documentation set. The complete set consists of:

- **General safety precautions:**
 - Safety instructions that you **MUST** read before installing
 - Format: Paper (in the box of the indoor unit)
- **Indoor unit installation manual:**
 - Installation instructions
 - Format: Paper (in the box of the indoor unit)
- **Installer reference guide:**
 - Preparation of the installation, good practices, reference data,...
 - Format: Digital files on <https://www.daikin.eu>. Use the search function  to find your model.

Latest revisions of the supplied documentation may be available on the regional Daikin website or via your dealer.

Scan the QR code below to find the full documentation set and more information about your product on Daikin website.



The original documentation is written in English. All other languages are translations.

Technical engineering data

- A **subset** of the latest technical data is available on the regional Daikin website (publicly accessible).
- The **full set** of latest technical data is available on the Daikin Business Portal (authentication required).

2 Specific installer safety instructions

Always observe the following safety instructions and regulations.

Unit installation (see "**5 Unit installation**")

WARNING

Installation shall be done by an installer, the choice of materials and installation shall comply with the applicable legislation. In Europe, EN378 is the applicable standard.

WARNING

CVXM-A and FVXM-A Floor Standing range is allowed to be combined **ONLY** with systems with total refrigerant amount <1.842 kg. Therefore in case of combination with outdoor units 3MXM40 or 3MXM52, the total liquid refrigerant piping length of the installation **MUST** be ≤30 m.

WARNING

The appliance shall be stored so as to prevent mechanical damage and in a well-ventilated room without continuously operating ignition sources (e.g. open flames, an operating gas appliance, or an operating electric heater). The room size shall be as specified in the General safety precaution.

CAUTION

For walls containing a metal frame or a metal board, use a wall embedded pipe and wall cover in the feed-through hole to prevent possible heat, electrical shock, or fire.

Piping installation (see "6 Piping installation" [p 8])

CAUTION

Piping and joints of a split system shall be made with permanent joints when inside an occupied space except joints directly connecting the piping to the indoor units.

DANGER: RISK OF BURNING/SCALDING

CAUTION

- Incomplete flaring may cause refrigerant gas leakage.
- Do NOT re-use flares. Use new flares to prevent refrigerant gas leakage.
- Use flare nuts that are included with the unit. Using different flare nuts may cause refrigerant gas leakage.

Electrical installation (see "7 Electrical installation" [p 9])

DANGER: RISK OF ELECTROCUTION

WARNING

ALWAYS use multicore cable for power supply cables.

WARNING

- All wiring MUST be performed by an authorised electrician and MUST comply with the applicable legislation.
- Make electrical connections to the fixed wiring.
- All components procured on-site and all electrical construction MUST comply with the applicable legislation.

WARNING

- If the power supply has a missing or wrong N-phase, equipment might break down.
- Establish proper earthing. Do NOT earth the unit to a utility pipe, surge absorber, or telephone earth. Incomplete earthing may cause electrical shock.
- Install the required fuses or circuit breakers.
- Secure the electrical wiring with cable ties so that the cables do NOT come in contact with sharp edges or piping, particularly on the high-pressure side.
- Do NOT use taped wires, stranded conductor wires, extension cords, or connections from a star system. They can cause overheating, electrical shock or fire.
- Do NOT install a phase advancing capacitor, because this unit is equipped with an inverter. A phase advancing capacitor will reduce performance and may cause accidents.

WARNING

Use an all-pole disconnection type breaker with at least 3 mm between the contact point gaps that provides full disconnection under overvoltage category III.

WARNING

If the supply cord is damaged, it MUST be replaced by the manufacturer, its service agent or similarly qualified persons in order to avoid a hazard.

WARNING

Do NOT connect the power supply to the indoor unit. This could result in electrical shock or fire.

WARNING

- Do NOT use locally purchased electrical parts inside the product.
- Do NOT branch the power supply for the drain pump, etc. from the terminal block. This could result in electrical shock or fire.

WARNING

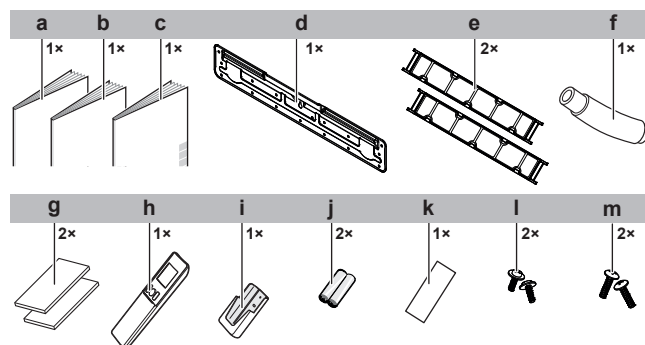
Keep the interconnection wiring away from copper pipes without thermal insulation as such pipes will be very hot.

3 About the box

3.1 Indoor unit

3.1.1 To remove the accessories from the indoor unit

- 1 Remove the accessories located at the bottom of the package. Spare SSID sticker is located on the unit.



- a Installation manual
- b Operation manual
- c General safety precautions
- d Mounting plate (attached to the unit)
- e Titanium apatite deodorising filter
- f Drain hose
- g Insulation piece
- h Wireless remote control (user interface)
- i Wireless remote control
- j Dry battery AAA.LR03 (alkaline) for wireless remote control
- k Spare SSID sticker (attached to the unit)
- l Screws for fixing drain hose
- m White head screws (for final installation of the front grille)

- **Spare SSID sticker.** Do NOT throw away the spare sticker. Keep it in a safe place in case it is needed in the future (e.g. in case the front grille is replaced, attach it to the new front grille).

4 About the unit

WARNING: MILDLY FLAMMABLE MATERIAL

The refrigerant inside this unit is mildly flammable.

5 Unit installation

4.1 About the wireless LAN

For detailed specifications, installation instructions, setting methods, FAQ, declaration of conformity and the latest version of this manual, visit app.daikineurope.com.



i INFORMATION: Declaration of conformity

- Daikin Industries Czech Republic s.r.o. declares that the radio equipment type inside of this unit is in compliance with Directive 2014/53/EU and S.I. 2017/1206: Radio Equipment Regulations 2017.
- This unit is considered as combined equipment according to the definition of Directive 2014/53/EU and S.I. 2017/1206: Radio Equipment Regulations 2017.

4.1.1 Precautions when using the wireless LAN

Do NOT use near:

- Medical equipment.** E.g. persons using cardiac pacemakers or defibrillators. This product may cause electromagnetic interference.
- Auto-control equipment.** E.g. automatic doors or fire alarm equipment. This product may cause faulty behaviour of the equipment.
- Microwave oven.** It may affect wireless LAN communications.

4.1.2 Basic parameters

What	Value
Frequency range	2400 MHz~2483.5 MHz
Radio protocol	IEEE 802.11b/g/n
Radio frequency channel	13ch
Output power	13 dBm
Effective radiated power	15 dBm (11b) / 14 dBm (11g) / 14 dBm (11n)
Power supply	DC 14 V / 100 mA

5 Unit installation

i INFORMATION

If you are not sure how to open or close parts of the unit (front panel, electrical wiring box, front grille...) refer to the installer reference guide of the unit for opening and closing procedures. For location of the installer reference guide see "1.1 About this document" [▶ 2].

! WARNING

Installation shall be done by an installer, the choice of materials and installation shall comply with the applicable legislation. In Europe, EN378 is the applicable standard.

5.1 Preparing the installation site

! WARNING

The appliance shall be stored so as to prevent mechanical damage and in a well-ventilated room without continuously operating ignition sources (e.g. open flames, an operating gas appliance, or an operating electric heater). The room size shall be as specified in the General safety precaution.

5.1.1 Installation site requirements of the indoor unit

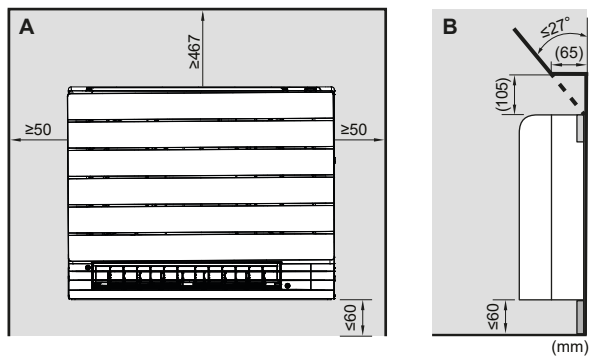
i INFORMATION

The sound pressure level is less than 70 dBA.

! WARNING

CVXM-A and FVXM-A Floor Standing range is allowed to be combined ONLY with systems with total refrigerant amount <1.842 kg. Therefore in case of combination with outdoor units 3MXM40 or 3MXM52, the total liquid refrigerant piping length of the installation MUST be ≤30 m.

- Spacing.** Mind the following requirements:



A Front view
B Side view

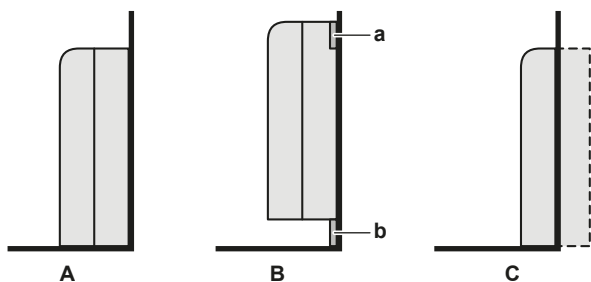
- Do not install the unit more than 60 mm above the floor.
- Wall insulation.** When conditions in the wall exceed 30°C and a relative humidity of 80%, or when fresh air is inducted into the wall, then additional insulation is required (minimum 10 mm thickness, polyethylene foam).
- Wall or floor strength.** Check whether the wall or the floor is strong enough to support the weight of the unit. If there is a risk, reinforce the wall or the floor before installing the unit.

5.2 Mounting the indoor unit

5.2.1 To install the indoor unit

Installation options

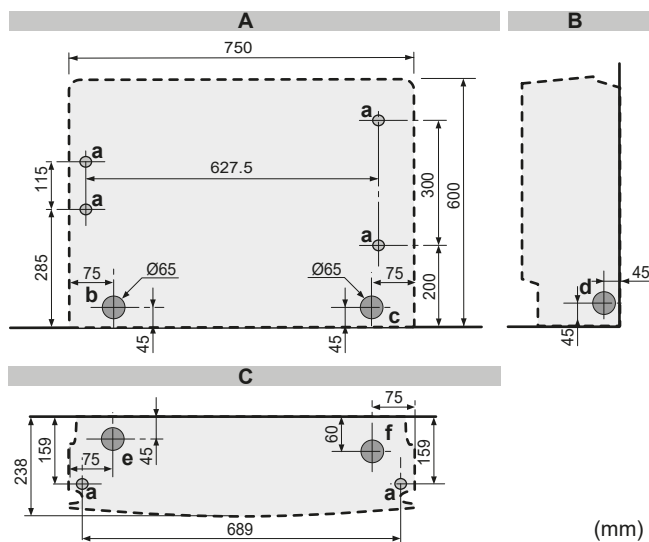
There are 3 possible type of installation for the indoor unit.



A Floor (exposed) installation
B Wall (exposed) installation
C Half concealed installation
a Mounting plate

b Skirting board

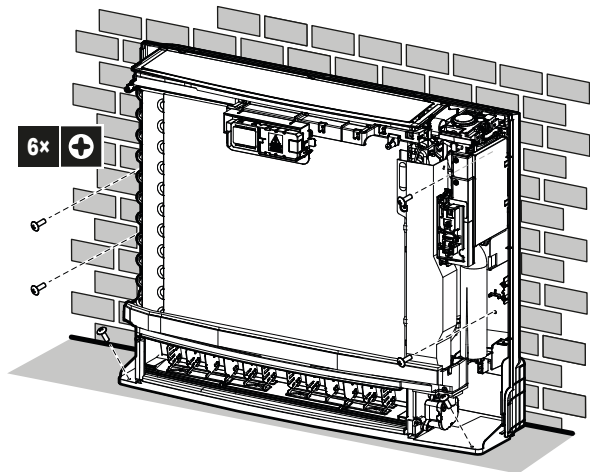
Floor-standing installation



5-1 Indoor unit installation drawing: Floor-standing installation

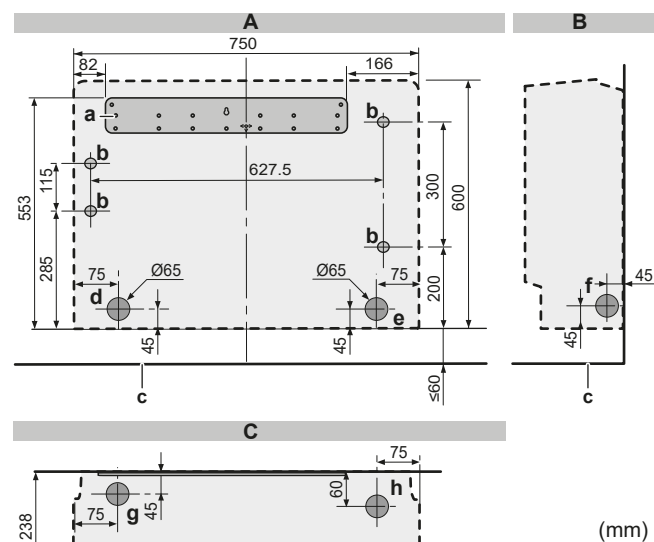
- A Front view
- B Side view
- C Top view
- a Screw hole 6x
- b Left-back piping hole location
- c Right-back piping hole location
- d Left/right piping hole location
- e Left-bottom piping hole location
- f Right-bottom piping hole location

- 1 Drill a wall hole, depending on which side piping is taken out. See "5.2.2 To drill a wall hole" [p 7].
- 2 Open the front panel and remove the front grille.
- 3 Remove the slit portions using nippers. See "5.2.3 To remove the slit portions" [p 7].
- 4 Secure the unit to the wall and floor using 6 screws M4×25L (field supply).



- 5 When the complete installation is finished, attach the front panel and the front grille in their original position.

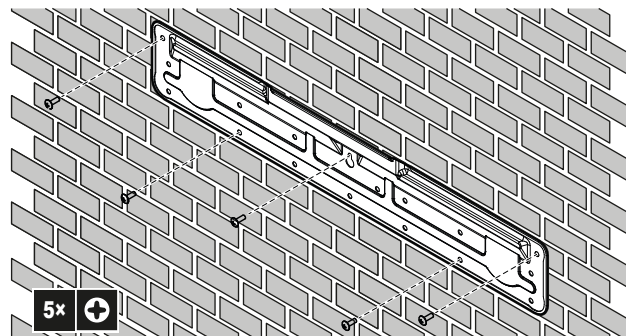
Wall-mounted installation



5-2 Indoor unit installation drawing: Wall-mounted installation

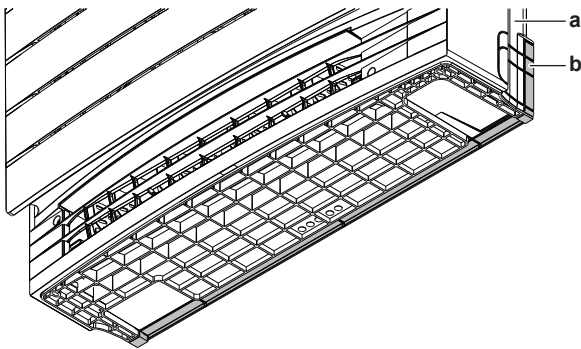
- A Front view
- B Side view
- C Top view
- a Mounting plate
- b Screw hole 4x
- c Floor
- d Left-back piping hole location
- e Right-back piping hole location
- f Left/right piping hole location
- g Left-bottom piping hole location
- h Right-bottom piping hole location

- 6 Temporarily secure the mounting plate on the wall.
- 7 Make sure the mounting plate is level.
- 8 Mark the centres of the drilling points on the wall.
- 9 Secure the mounting plate on the wall using 5 screws M4×25L (field supply).




- 10 Drill a wall hole, depending on which side piping is taken out. See "5.2.2 To drill a wall hole" [p 7].
- 11 Open the front panel and remove the front grille.
- 12 Remove the slit portions using nippers. See "5.2.3 To remove the slit portions" [p 7].
- 13 If necessary for the skirting board, remove the slit portion on the bottom frame.

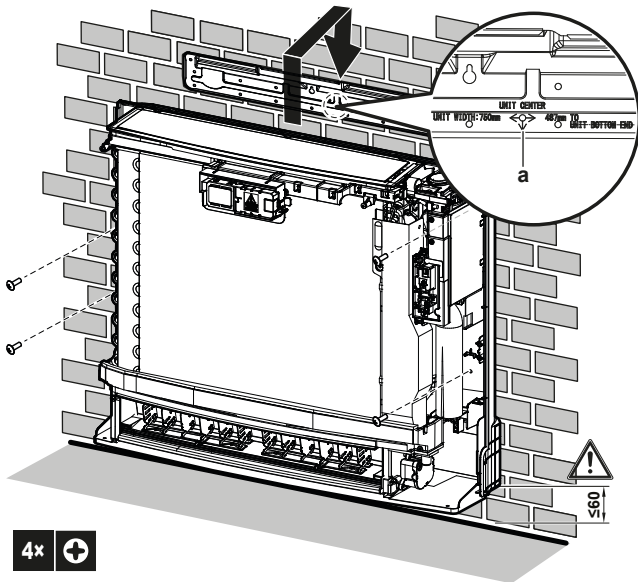
5 Unit installation



- a Bottom frame
- b Slit portion

14 Align the unit using the alignment symbol  on the mounting plate: 375 mm from the alignment symbol to the each side (unit width 750 mm), 487 mm from the alignment symbol to the bottom of the unit.

15 Hook the unit on the mounting plate and secure the unit to the wall using 4 screws M4×25L (field supply).

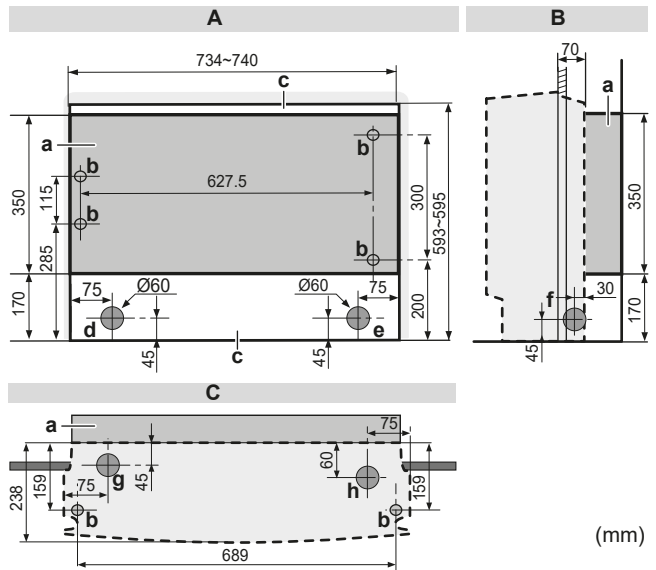


- a Alignment symbol

16 When the complete installation is finished, attach the front panel and the front grille in their original position.



Half-concealed installation



5-3 Indoor unit installation drawing: Half-concealed installation

- A Front view
- B Side view
- C Top view
- a Extra filler board
- b Screw hole 6×
- c Hole
- d Left-back piping hole location
- e Right-back piping hole location
- f Right/left piping hole location
- g Left-bottom piping hole location
- h Right-bottom piping hole location

17 Make a hole in the wall as illustrated above.

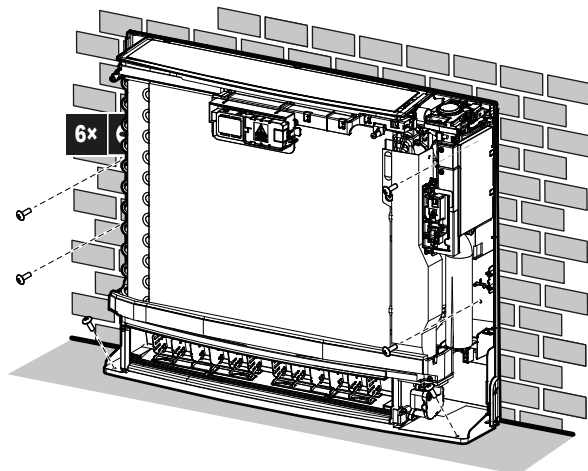
18 Install the extra filler board (field supply) in accordance with the space between the unit and the wall. Make sure there is no gap between the unit and the wall.

19 Drill a wall hole, depending on which side piping is taken out. See "5.2.2 To drill a wall hole" [▶ 7].

20 Remove the slit portions using nippers. See "5.2.3 To remove the slit portions" [▶ 7].

21 Open the front panel, remove the front grille, remove the top and side casings.

22 Secure the unit to the extra filler board and to the floor using 6 screws M4×25L (field supply).



23 When the complete installation is finished, attach the front panel and the front grille in their original position.

5.2.2 To drill a wall hole



CAUTION

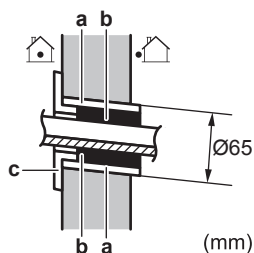
For walls containing a metal frame or a metal board, use a wall embedded pipe and wall cover in the feed-through hole to prevent possible heat, electrical shock, or fire.



NOTICE

Be sure to seal the gaps around the pipes with sealing material (field supply), in order to prevent water leakage.

- 1 Bore a 65 mm large feed-through hole in the wall with a downward slope towards the outside.
- 2 Insert a wall embedded pipe into the hole.
- 3 Insert a wall cover into the wall pipe.

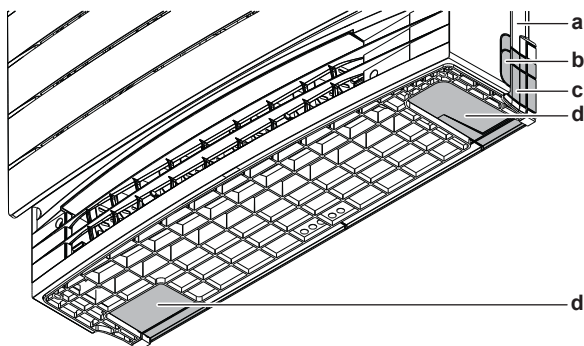


- a Wall embedded pipe
- b Putty
- c Wall hole cover

- 4 After completing wiring, refrigerant piping and drain piping, do NOT forget to seal the gap with putty.

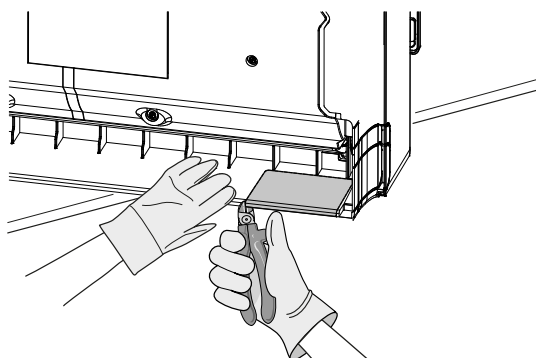
5.2.3 To remove the slit portions

For side piping (left/right) and bottom piping (left/right) slit portions must be removed. Remove slit portions according to where the piping is taken out.

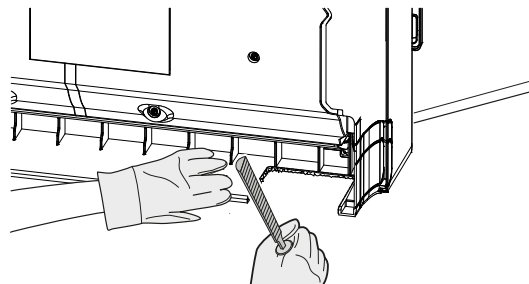


- a Bottom frame
- b Slit portion for side piping on the front grille (same on the other side)
- c Slit portion for side piping on the bottom frame (same of the other side)
- d Slit portion for the bottom piping

- 1 Cut off the slit portion using nippers.



- 2 Remove any burrs along the cut section using a half round needle file.



5.3 Connecting the drain piping

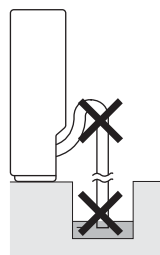
5.3.1 General guidelines

- **Pipe length.** Keep drain piping as short as possible.
- **Pipe size.** Use rigid polyvinyl chloride pipe with 20 mm nominal diameter and 26 mm outer diameter.



NOTICE

- Install the drain hose with a downward slope.
- Traps are NOT permitted.
- Do NOT put the end of the hose in water.



- **Drain hose.** Drain hose (accessory) is 220 mm long and with 18 mm outer diameter on the connecting side.
- **Extension hose.** Use rigid polyvinyl chloride pipe (field supply) with 20 mm nominal diameter as extension hose. When connecting an extension hose, use a polyvinyl adhesive agent for glueing.
- **Condensation.** Take measures against condensation. Insulate the complete drain piping in the building.

5.3.2 To connect the drain piping to the indoor unit

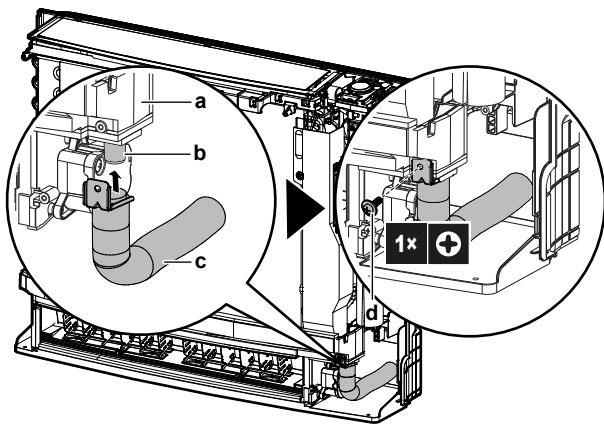


NOTICE

Incorrect connection of the drain hose might cause leaks, and damage the installation space and surroundings.

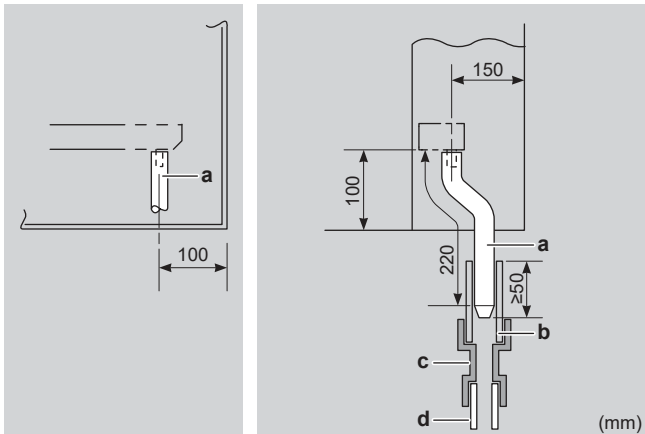
- 1 Push the drain hose (accessory) as far as possible over the drain socket and fix it with 1 screw (accessory).

6 Piping installation



- a Drain pan
- b Drain socket
- c Drain hose (accessory)
- d Screw (accessory)

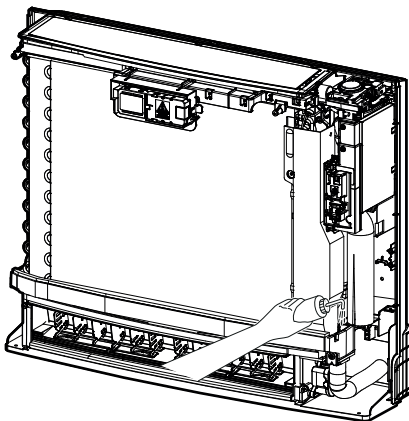
- 2 Check for water leaks (see "5.3.3 To check for water leaks" [p 8]).
- 3 Insulate the indoor drain socket and drain hose with ≥ 10 mm insulation material to prevent condensation.
- 4 Connect the drain piping to the drain hose. Insert the drain hose ≥ 50 mm, so it will not be pulled out of the drain pipe.



- a Drain hose (accessory)
- b Vinyl chloride drain pipe (VP-30) (field supply)
- c Reducer (field supply)
- d Vinyl chloride drain pipe (VP-20) (field supply)

5.3.3 To check for water leaks

- 1 Remove the air filters.
- 2 Gradually pour approximately 1 l of water in the drain pan, and check for water leaks.



6 Piping installation

6.1 Preparing refrigerant piping

6.1.1 Refrigerant piping requirements



CAUTION

Piping and joints of a split system shall be made with permanent joints when inside an occupied space except joints directly connecting the piping to the indoor units.



NOTICE

The piping and other pressure-containing parts shall be suitable for refrigerant. Use phosphoric acid deoxidised seamless copper for refrigerant piping.



INFORMATION

Additional refrigerant charge is NOT allowed in case of combination of the outdoor unit **3MXM40** or **3MXM52** with the indoor units **CVXM-A** and/or **FVXM-A**. The total piping length MUST be ≤ 30 m.

- Foreign materials inside pipes (including oils for fabrication) must be ≤ 30 mg/10 m.

Refrigerant piping diameter

Use the same diameters as the connections on the outdoor units:

Class	Pipe outer diameter (mm)	
	Liquid piping	Gas piping
20~35	$\varnothing 6.4$	$\varnothing 9.5$
50	$\varnothing 6.4$	$\varnothing 12.7$

Refrigerant piping material

- **Piping material:** phosphoric acid deoxidised seamless copper
- **Flare connections:** Only use annealed material.
- **Piping temper grade and thickness:**

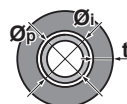
Outer diameter (\varnothing)	Temper grade	Thickness (t) ^(a)	
6.4 mm (1/4")	Annealed (O)	≥ 0.8 mm	
9.5 mm (3/8")			
12.7 mm (1/2")			

^(a) Depending on the applicable legislation and the maximum working pressure of the unit (see "PS High" on the unit name plate), larger piping thickness might be required.

6.1.2 Refrigerant piping insulation

- Use polyethylene foam as insulation material:
 - with a heat transfer rate between 0.041 and 0.052 W/mK (0.035 and 0.045 kcal/mh°C)
 - with a heat resistance of at least 120°C
- Insulation thickness

Pipe outer diameter (\varnothing_p)	Insulation inner diameter (\varnothing_i)	Insulation thickness (t)
6.4 mm (1/4")	8~10 mm	≥ 10 mm
9.5 mm (3/8")	12~15 mm	≥ 13 mm
12.7 mm (1/2")	14~16 mm	≥ 13 mm



If the temperature is higher than 30°C and the humidity is higher than RH 80%, the thickness of the insulation materials should be at least 20 mm to prevent condensation on the surface of the insulation.

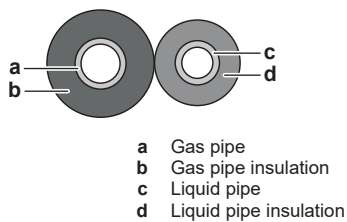
6.2 Connecting the refrigerant piping

DANGER: RISK OF BURNING/SCALDING

6.2.1 To connect the refrigerant piping to the indoor unit

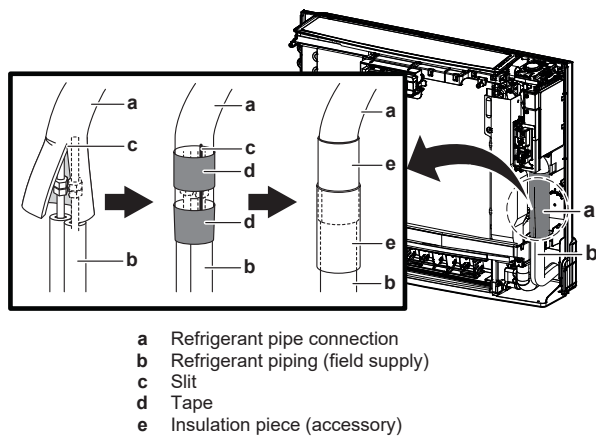
WARNING: MILDLY FLAMMABLE MATERIAL
The refrigerant inside this unit is mildly flammable.

- **Pipe length.** Keep refrigerant piping as short as possible.
- 1 Connect refrigerant piping to the unit using **flare connections**.
 - 2 **Insulate** the refrigerant piping on the indoor unit as follows:



NOTICE
Make sure to insulate all refrigerant piping. Any exposed piping might cause condensation.

- 3 Close the slit on the refrigerant pipe connection and secure it with a tape (field supply). Make sure there are no gaps.
- 4 Wrap the slit and the end of the insulation of the connected refrigerant piping with insulation piece (accessory). Make sure there are no gaps.



7 Electrical installation

DANGER: RISK OF ELECTROCUTION

WARNING
ALWAYS use multicore cable for power supply cables.

WARNING
Use an all-pole disconnection type breaker with at least 3 mm between the contact point gaps that provides full disconnection under overvoltage category III.

WARNING
If the supply cord is damaged, it **MUST** be replaced by the manufacturer, its service agent or similarly qualified persons in order to avoid a hazard.

WARNING
Do **NOT** connect the power supply to the indoor unit. This could result in electrical shock or fire.

WARNING

- Do **NOT** use locally purchased electrical parts inside the product.
- Do **NOT** branch the power supply for the drain pump, etc. from the terminal block. This could result in electrical shock or fire.

WARNING
Keep the interconnection wiring away from copper pipes without thermal insulation as such pipes will be very hot.

Following symbols may occur on the indoor unit:

Symbol	Explanation
	Measure the voltage at the terminals of main circuit capacitors or electrical components before servicing.

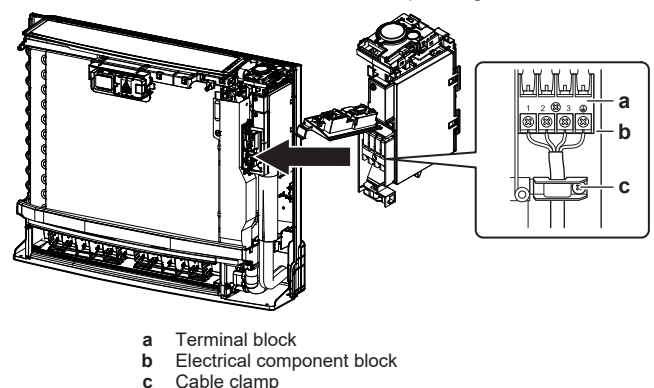
7.1 Specifications of standard wiring components

Component	
Interconnection cable (indoor↔outdoor)	4-core cable 1.5 mm ² ~2.5 mm ² and applicable for 220~240 V H05RN-F (60245 IEC 57)

7.2 To connect the electrical wiring to the indoor unit

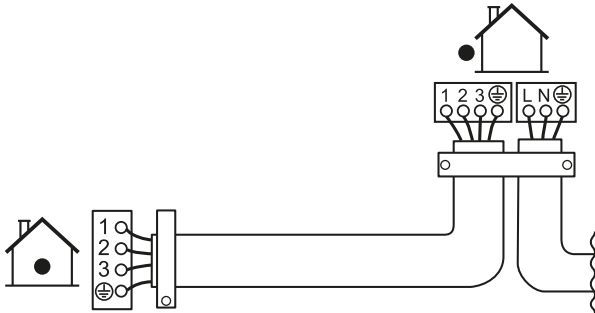
Electrical work should be carried out in accordance with the installation manual and the national electrical wiring rules or code of practice.

- 1 Open the terminal block.
- 2 Strip the wire ends approximately 15 mm.
- 3 Match wire colours with terminal numbers on indoor and outdoor unit's terminal blocks and firmly screw wires to the corresponding terminals.
- 4 Connect the earth wires to the corresponding terminals.



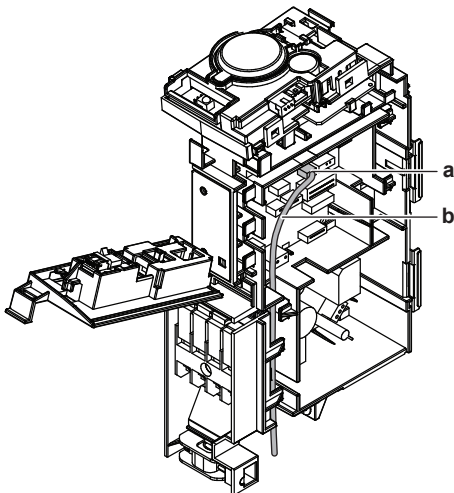
8 Finishing the indoor unit installation

- Pull the wires to make sure that they are securely attached, then retain the wires with the cable clamp.
- Make sure that the wires do not come in contact with the metal parts of the heat exchanger.
- In case of connecting to an optional adapter, see "7.3 To connect optional accessories (wired user interface, central user interface, wireless adapter, etc.)" [▶ 10].



7.3 To connect optional accessories (wired user interface, central user interface, wireless adapter, etc.)

- Remove the electrical wiring box cover.
- Connect the optional adapter wire to the S21 connector. To connect the optional adapter wire to the option, refer to the installation manual of the optional adapter.
- Lead the wire as shown in the figure below.



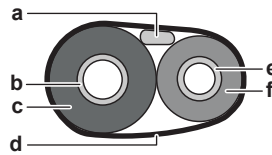
- a S21connector
B Optional adapter wire

- Close the electrical wiring box cover.

8 Finishing the indoor unit installation

8.1 To finish the indoor unit installation

- After the drain piping, refrigerant piping and the electrical wiring are finished. Wrap the refrigerant pipes and the interconnection cable with insulation tape. Overlap at least half the width of the tape with each turn.



- a Interconnection cable
b Gas pipe
c Gas pipe insulation
d Insulation tape
e Liquid pipe
f Liquid pipe insulation

- Pass the pipes through the wall hole and seal the gaps with putty.

9 Configuration

! INFORMATION

In case 2 indoor units are installed in 1 room, set different addresses for 2 user interfaces. For procedure refer to the installer reference guide, for location see "1.1 About this document" [▶ 2].

10 Commissioning

! NOTICE

General commissioning checklist. Next to the commissioning instructions in this chapter, a general commissioning checklist is also available on the Daikin Business Portal (authentication required).

The general commissioning checklist is complementary to the instructions in this chapter and can be used as a guideline and reporting template during commissioning and hand-over to the user.

! NOTICE

ALWAYS operate the unit with thermistors and/or pressure sensors/switches. If NOT, burning of the compressor might be the result.

10.1 To perform a test run



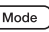
Prerequisite: Power supply MUST be in the specified range.

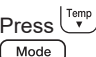
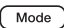
Prerequisite: Test run may be performed in cooling or heating mode.

Prerequisite: Test run should be performed in accordance with the operation manual of the indoor unit to make sure that all functions and parts are working properly.

- In cooling mode, select the lowest programmable temperature. In heating mode, select the highest programmable temperature. Test run can be disabled if necessary.
- When the test run is finished, set the temperature to a normal level. In cooling mode: 26~28°C, in heating mode: 20~24°C.
- The system stops operating 3 minutes after the unit is turned OFF.

10.1.1 To perform a test run using the wireless remote control

- Press  to switch the system on.
- Press the middle of  and  simultaneously.

3 Press  twice to choose **T** and confirm selection by pressing .

Result: **T** on the display indicates that the test run is selected. Test run operation will stop automatically after about 30 minutes.

4 To stop operation sooner, press the ON/OFF button.

11 Disposal



NOTICE

Do NOT try to dismantle the system yourself: dismantling of the system, treatment of the refrigerant, oil and other parts MUST comply with applicable legislation. Units MUST be treated at a specialised treatment facility for reuse, recycling and recovery.






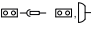
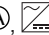




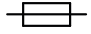
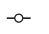





12 Technical data

- A **subset** of the latest technical data is available on the regional Daikin website (publicly accessible).
- The **full set** of latest technical data is available on the Daikin Business Portal (authentication required).

12.1 Wiring diagram

12.1.1 Unified wiring diagram legend

For applied parts and numbering, refer to the wiring diagram on the unit. Part numbering is by Arabic numbers in ascending order for each part and is represented in the overview below by "" in the part code.

Symbol	Meaning	Symbol	Meaning
	Circuit breaker		Protective earth
			
	Connection		Protective earth (screw)
	Connector		Rectifier
	Earth		Relay connector
	Field wiring		Short-circuit connector
	Fuse		Terminal
	Indoor unit		Terminal strip
	Outdoor unit		Wire clamp
	Residual current device		

Symbol	Colour	Symbol	Colour
BLK	Black	ORG	Orange
BLU	Blue	PNK	Pink
BRN	Brown	PRP, PPL	Purple
GRN	Green	RED	Red
GRY	Grey	WHT	White
SKY BLU	Sky blue	YLW	Yellow

Symbol	Meaning
A*P	Printed circuit board

Symbol	Meaning
BS*	Pushbutton ON/OFF, operation switch
BZ, H*O	Buzzer
C*	Capacitor
AC*, CN*, E*, HA*, HE*, HL*, HN*, HR*, MR*_A, MR*_B, S*, U, V, W, X*A, K*R_*, NE	Connection, connector
D*, V*D	Diode
DB*	Diode bridge
DS*	DIP switch
E*H	Heater
FU*, F*U, (for characteristics, refer to PCB inside your unit)	Fuse
FG*	Connector (frame ground)
H*	Harness
H*P, LED*, V*L	Pilot lamp, light emitting diode
HAP	Light emitting diode (service monitor green)
HIGH VOLTAGE	High voltage
IES	Intelligent eye sensor
IPM*	Intelligent power module
K*R, KCR, KFR, KHuR, K*M	Magnetic relay
L	Live
L*	Coil
L*R	Reactor
M*	Stepper motor
M*C	Compressor motor
M*F	Fan motor
M*P	Drain pump motor
M*S	Swing motor
MR*, MRCW*, MRM*, MRN*	Magnetic relay
N	Neutral
n*, N=*	Number of passes through ferrite core
PAM	Pulse-amplitude modulation
PCB*	Printed circuit board
PM*	Power module
PS	Switching power supply
PTC*	PTC thermistor
Q*	Insulated gate bipolar transistor (IGBT)
Q*C	Circuit breaker
Q*DI, KLM	Earth leak circuit breaker
Q*L	Overload protector
Q*M	Thermo switch
Q*R	Residual current device
R*	Resistor
R*T	Thermistor
RC	Receiver
S*C	Limit switch
S*L	Float switch
S*NG	Refrigerant leak detector
S*NPH	Pressure sensor (high)
S*NPL	Pressure sensor (low)
S*PH, HPS*	Pressure switch (high)
S*PL	Pressure switch (low)

12 Technical data

Symbol	Meaning
S*T	Thermostat
S*RH	Humidity sensor
S*W, SW*	Operation switch
SA*, F1S	Surge arrester
SR*, WLU	Signal receiver
SS*	Selector switch
SHEET METAL	Terminal strip fixed plate
T*R	Transformer
TC, TRC	Transmitter
V*, R*V	Varistor
V*R	Diode bridge, Insulated-gate bipolar transistor (IGBT) power module
WRC	Wireless remote controller
X*	Terminal
X*M	Terminal strip (block)
Y*E	Electronic expansion valve coil
Y*R, Y*S	Reversing solenoid valve coil
Z*C	Ferrite core
ZF, Z*F	Noise filter







ERC



DAIKIN INDUSTRIES CZECH REPUBLIC s.r.o.
U Nové Hospody 1/1155, 301 00 Plzeň Skvrňany, Czech Republic

DAIKIN EUROPE N.V.
Zandvoordestraat 300, B-8400 Oostende, Belgium

Copyright 2020 Daikin

3P477070-2N 2022.05