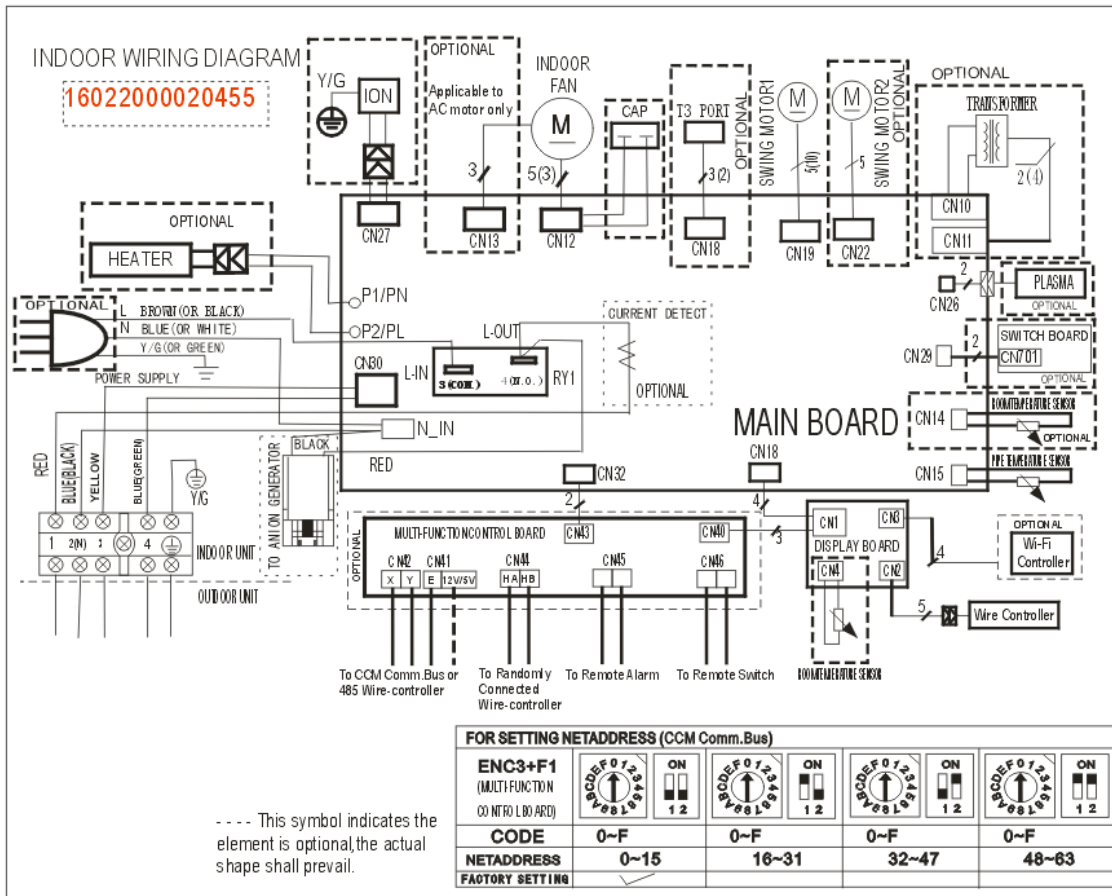
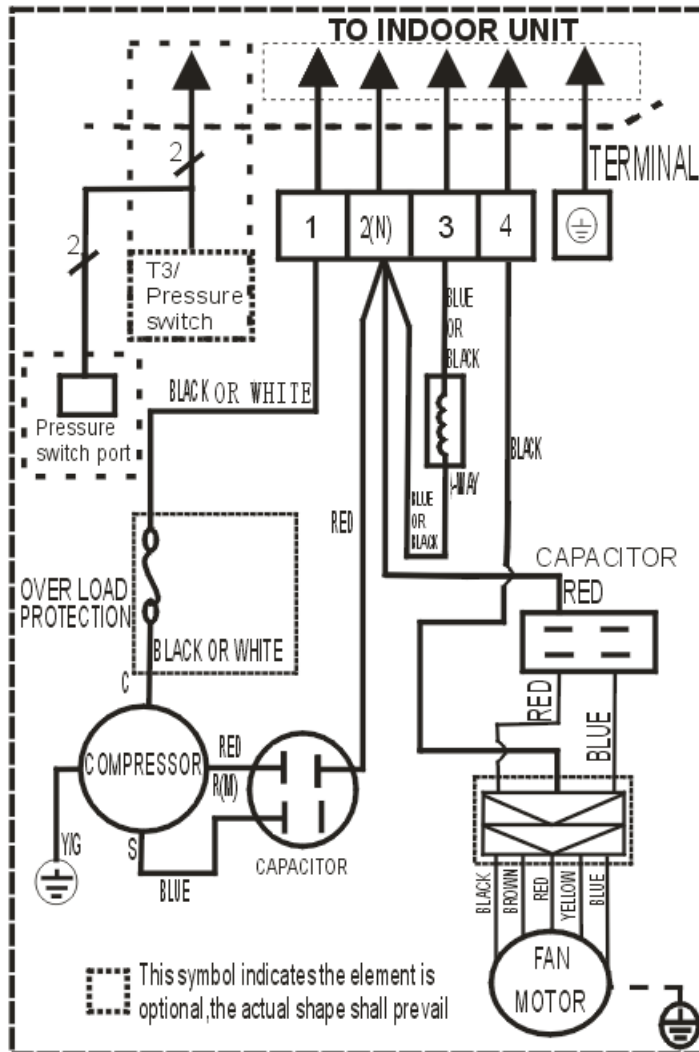


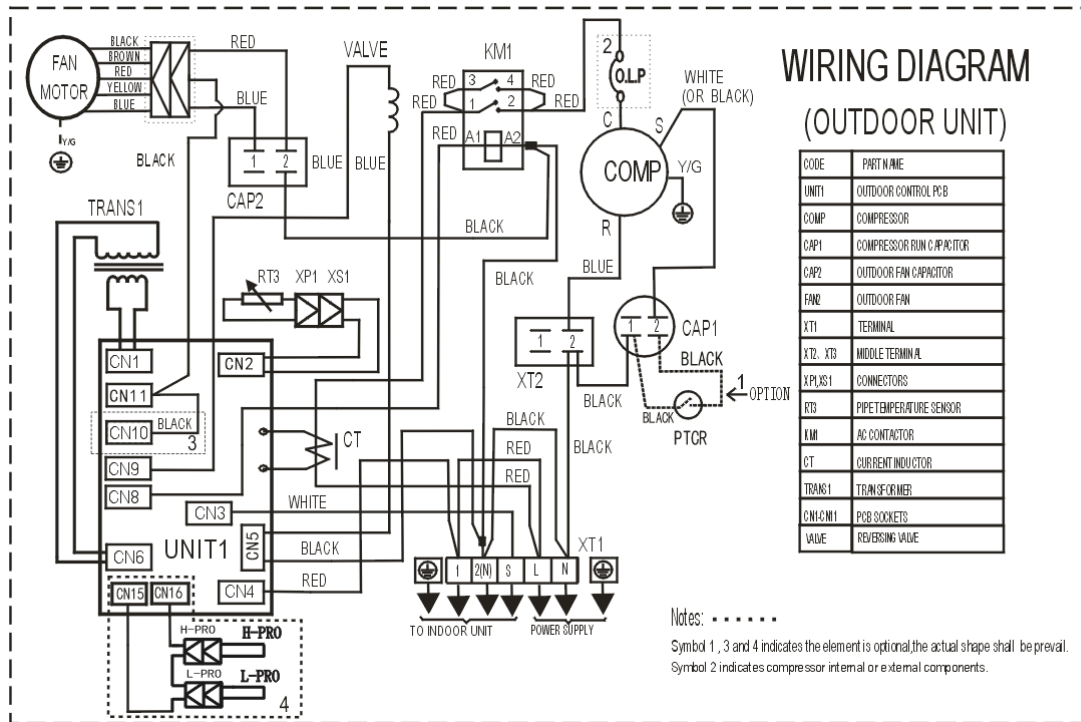
ASX07A1, ASX09A1, ASX12A1, ASX18A1



ASB07A1, ASB09A1, ASB12A1, ASB18A1



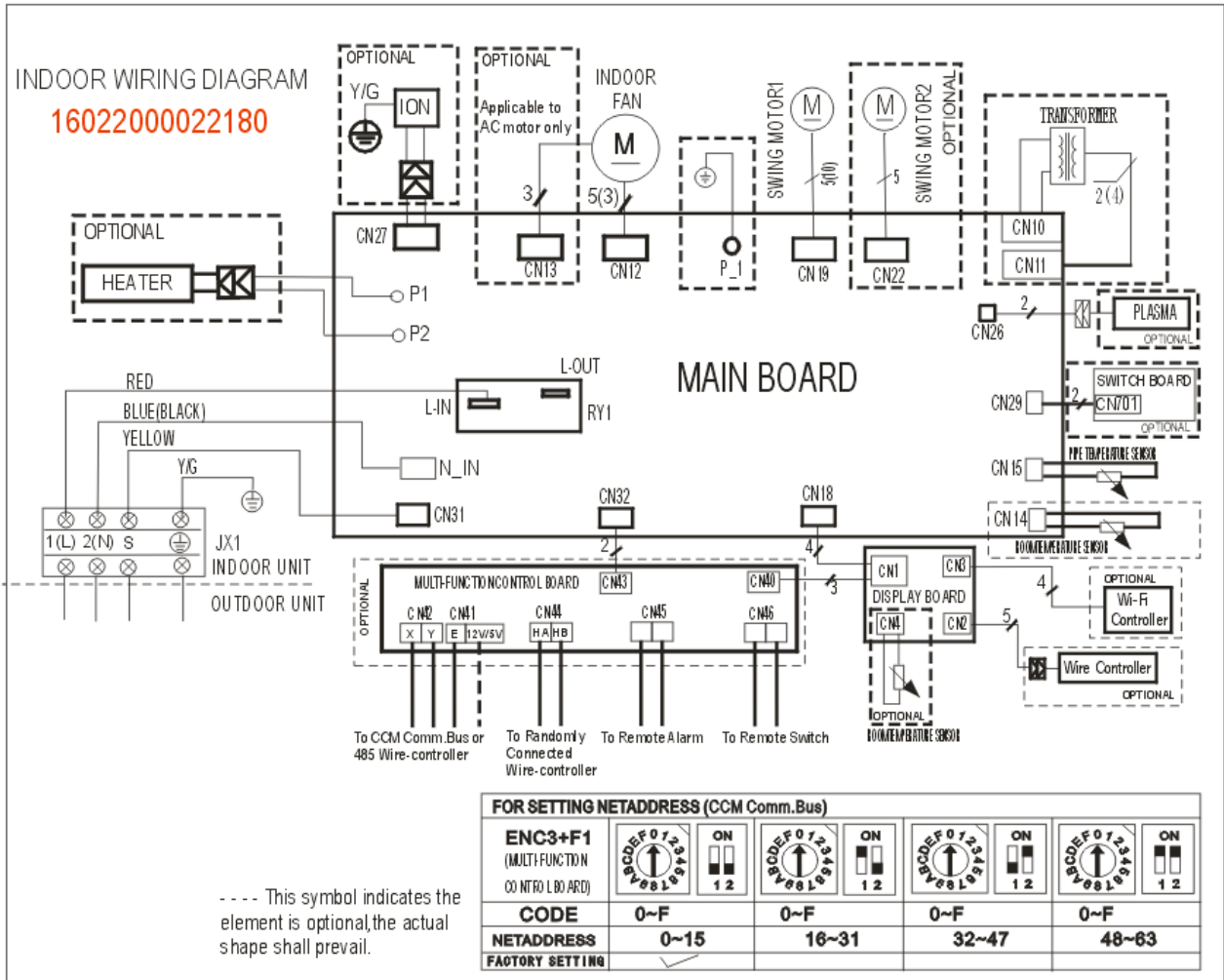
ASB24A1, ASB27A1



ASX24A1, ASX27A1

INDOOR WIRING DIAGRAM

16022000022180



--- This symbol indicates the element is optional, the actual shape shall prevail.

| FOR SETTING NETADDRESS (CCM Comm.Bus) | | | | |
|---|------|-------|-------|-------|
| ENC3+F1 (MULTIFUNCTION CONTROL BOARD) | | | | |
| CODE | 0~F | 0~F | 0~F | 0~F |
| NETADDRESS | 0~15 | 16~31 | 32~47 | 48~63 |
| FACTORY SETTING | ✓ | | | |